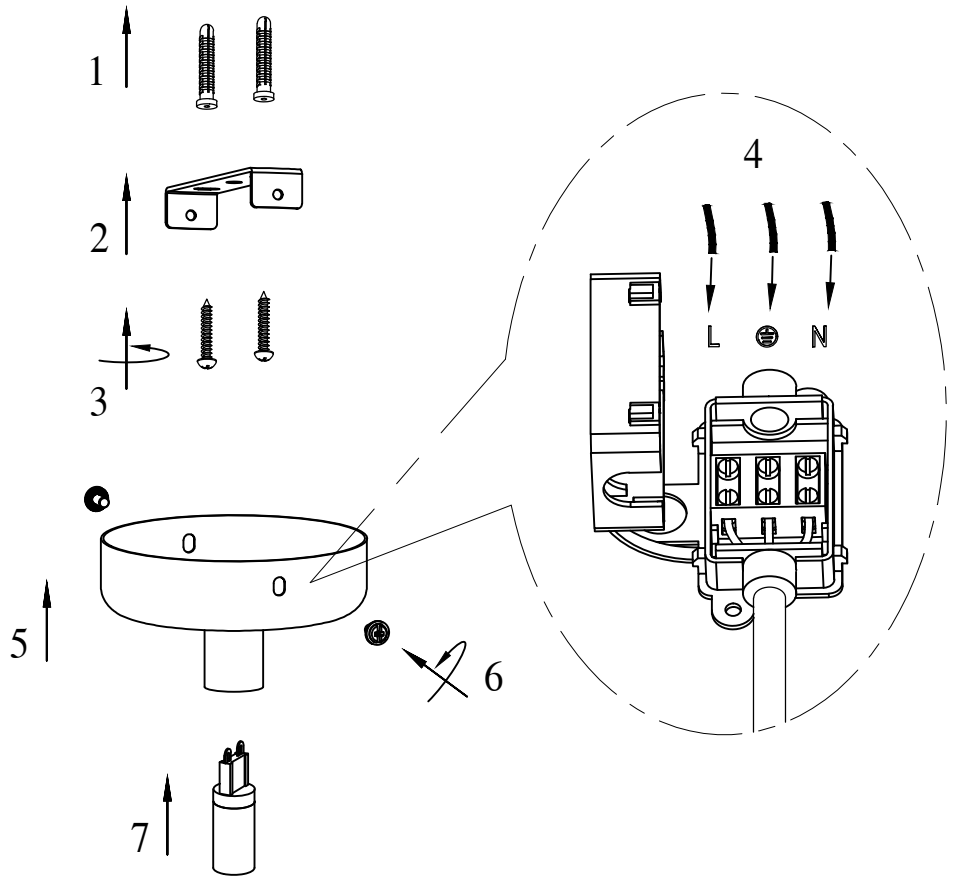
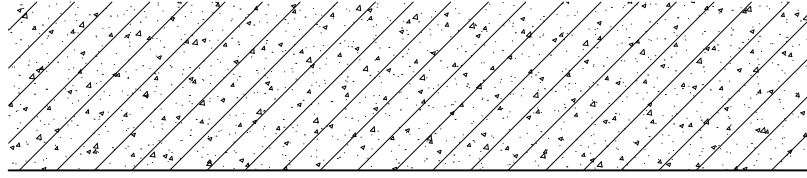
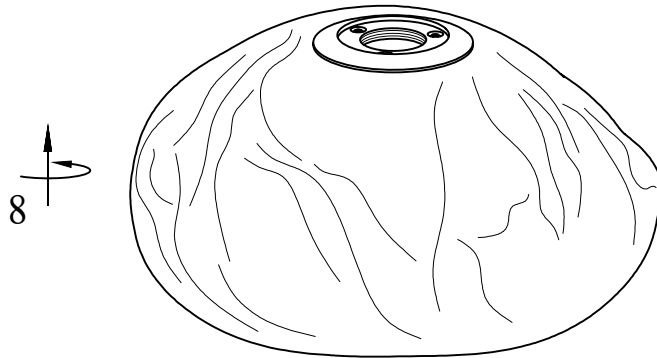


ITEMNO.:ZECCA WB



Disclaimer:

- Tools not included
- Shade ring attached on lamp holder
- Globe(s) not included



IMPORTANT
Must be installed by a qualified electrical contractor.
Install in accordance with AS/NZS3000



Telbix.

240V ~ 50Hz G9 Max.6Wx1

IP44

NOTE: GLOBE NOT INCLUDED