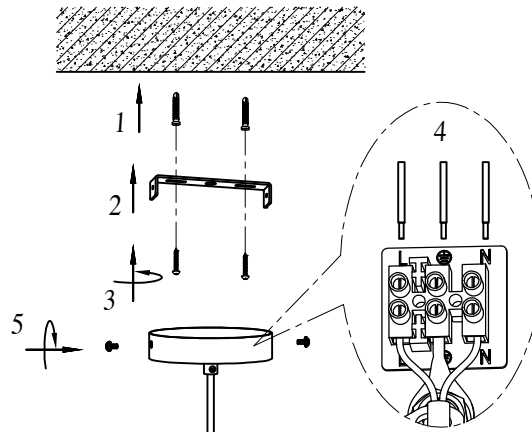


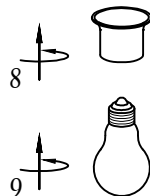
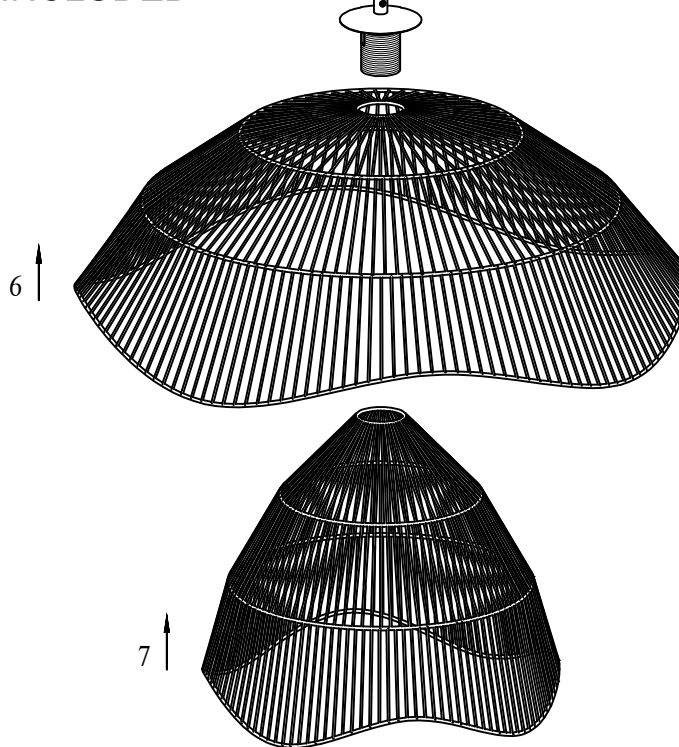
# ITEMNO.:ZAMORA PE



- Disclaimer:
- Tools not included
  - Shade ring attached on lamp holder
  - Globe(s) not included

240V ~ 50Hz E27 Max.25Wx1

NOTE: GLOBE NOT INCLUDED



Telbix.

**IMPORTANT**  
Must be installed by  
a qualified electrical  
contractor.  
Install in accordance  
with AS/NZ3000