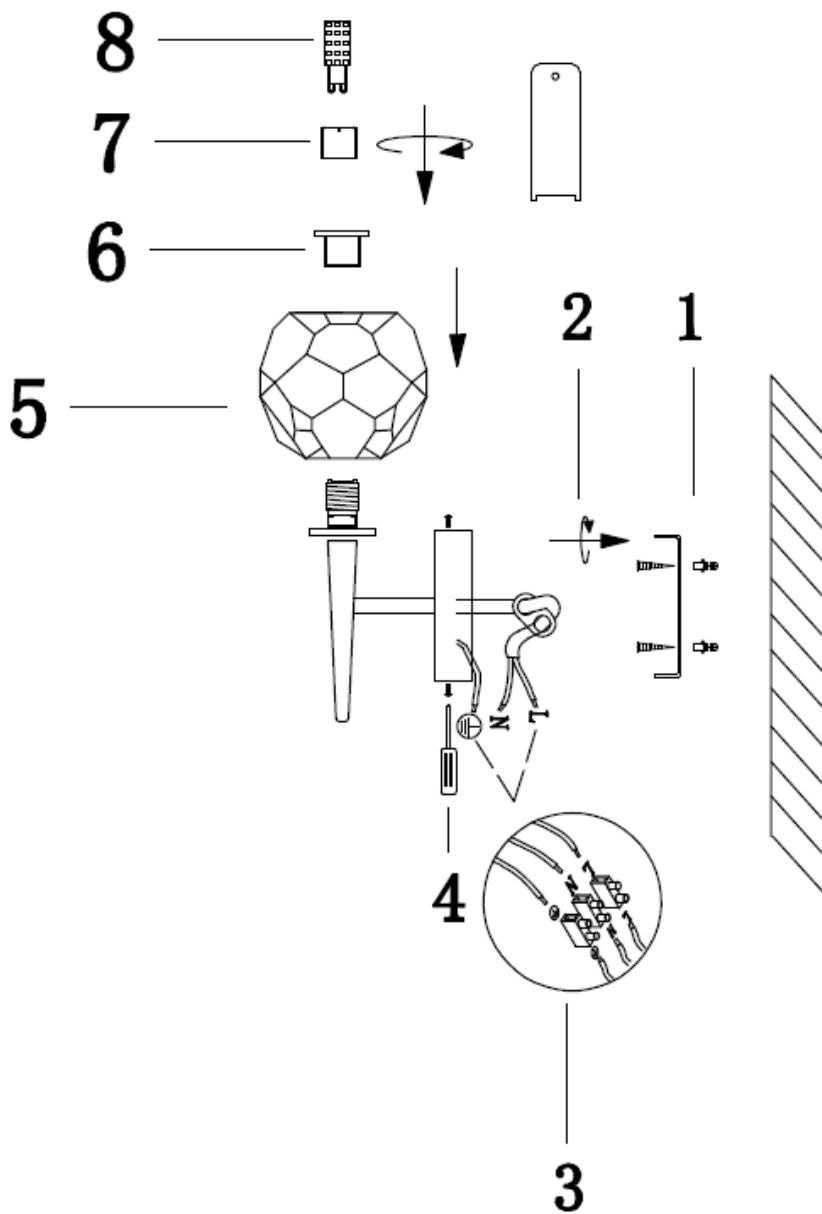


ITEM NO.: ZAHA WB1



- Disclaimer:
- Tools not included
 - Shade ring attached on lamp holder
 - Globe(s) not included

IMPORTANT
Must be installed by a qualified electrical contractor.
Install in accordance with AS/NZ3000

240V ~ 50Hz G9 Max.3Wx1

NOTE: GLOBE INCLUDED



telbix.