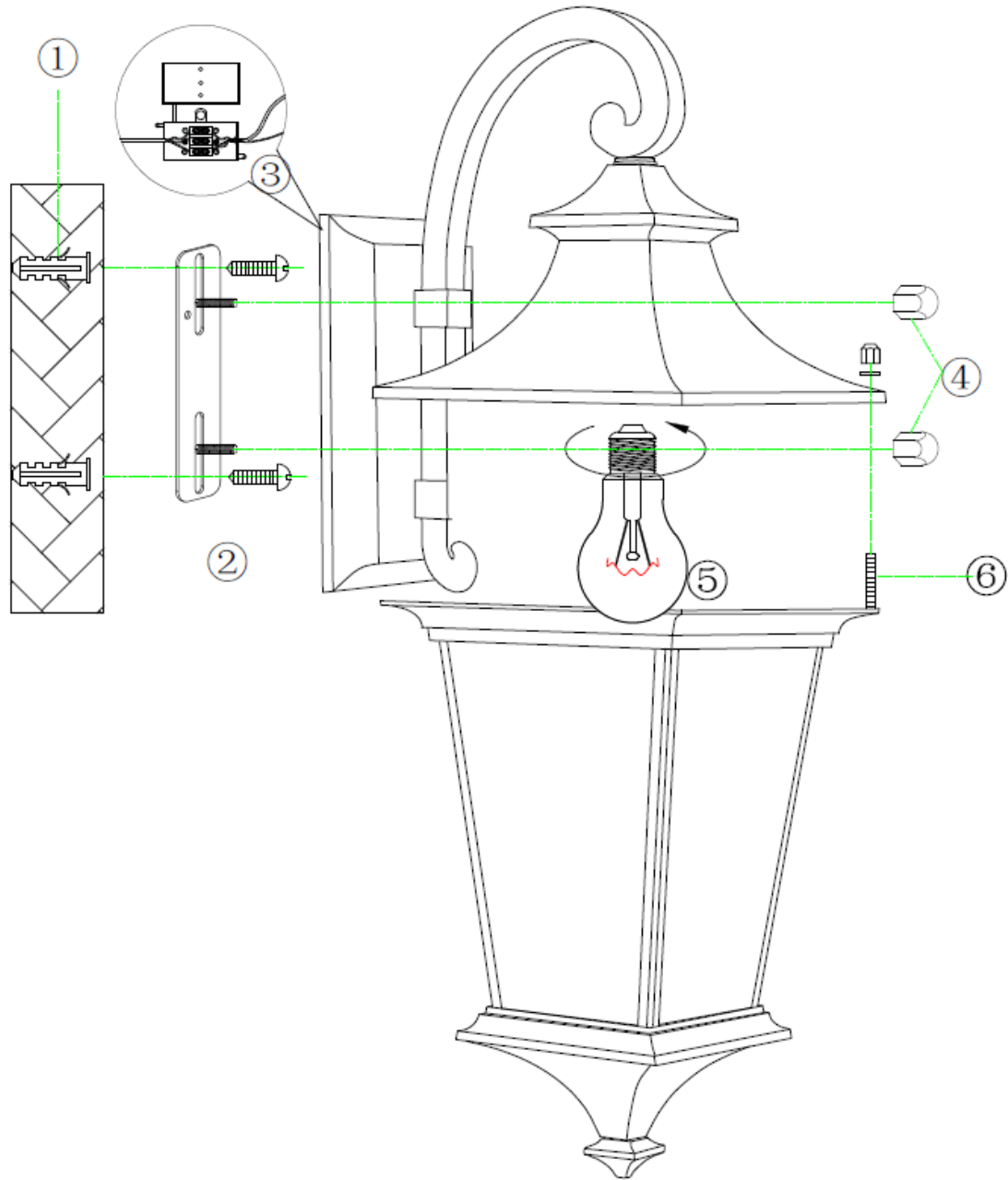
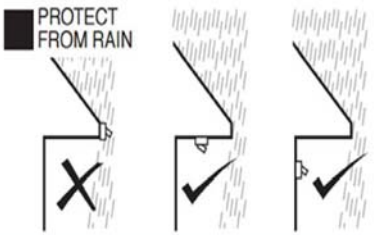


ITEM NO.:WESTIN EX-BK



PROTECT FROM RAIN



240V ~ 50Hz E27 Max.25W x1

telbix.

NOTE: GLOBE NOT INCLUDED

IMPORTANT
Must be installed by a qualified electrical contractor.
Install in accordance with AS/NZ3000