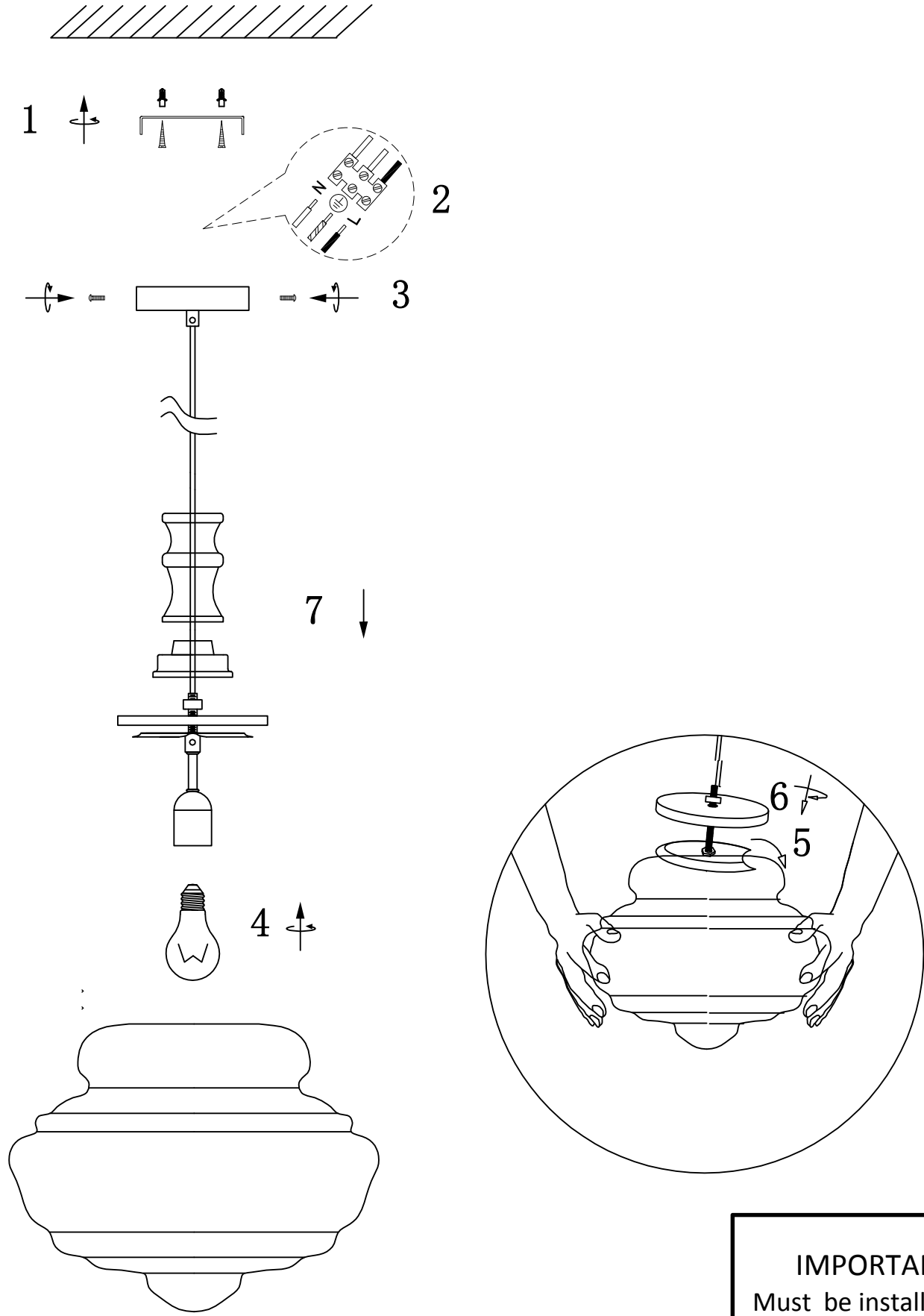


ITEM NO.: VERDUN PE40



IP20

240V - 50Hz E27 Max.25Wx1

Telbix. NOTE: GLOBE NOT INCLUDED

IMPORTANT
Must be installed by a qualified electrical contractor.
Install in accordance with AS/NZS3000