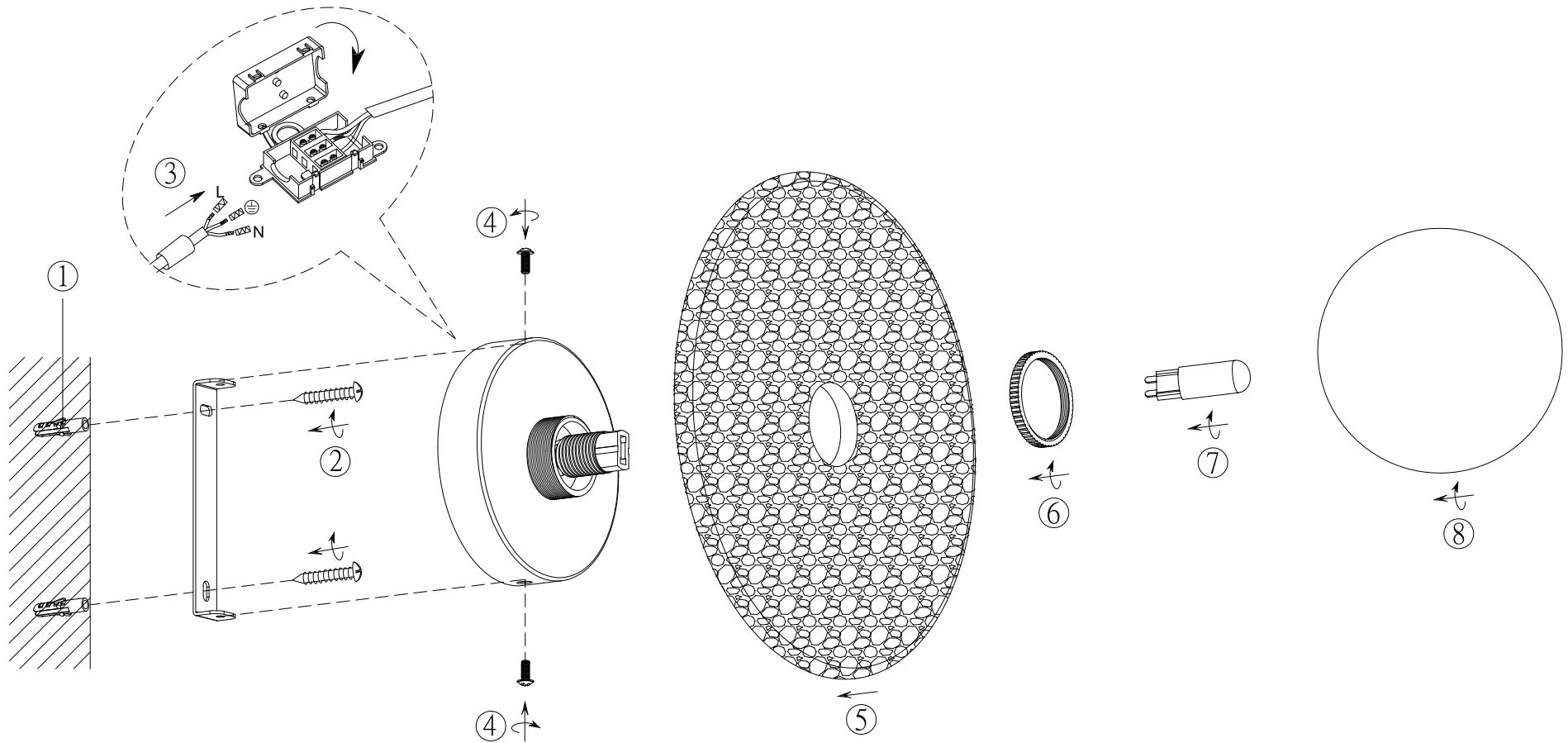


ITEM NO.: VARON WB



**Telbix.**

240V ~ 50Hz G9 Max.6W x 1  
NOTE: GLOBE NOT INCLUDED

**IMPORTANT**  
Must be installed by  
a qualified electrical  
contractor.  
Install in accordance  
with AS/NZS3000