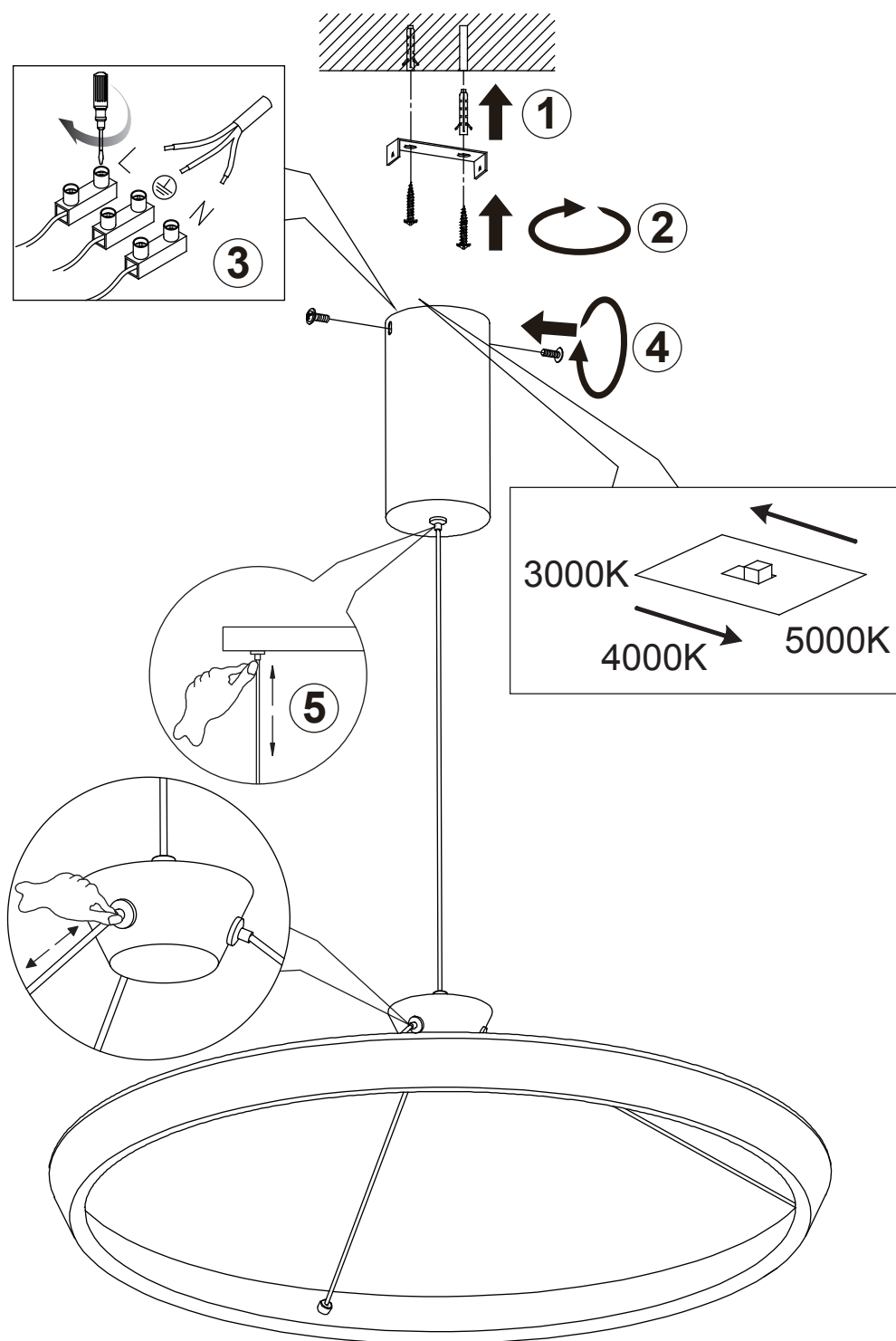


# ITEM NO.: VANTEL PE80



IP20

240V ~ 50Hz LED 48W

3000K-4000K-5000K

TRAILING EDGE DIMMER

**Telbix.**

### IMPORTANT

Must be installed by a qualified electrical contractor.  
Install in accordance with AS/NSZ3000.