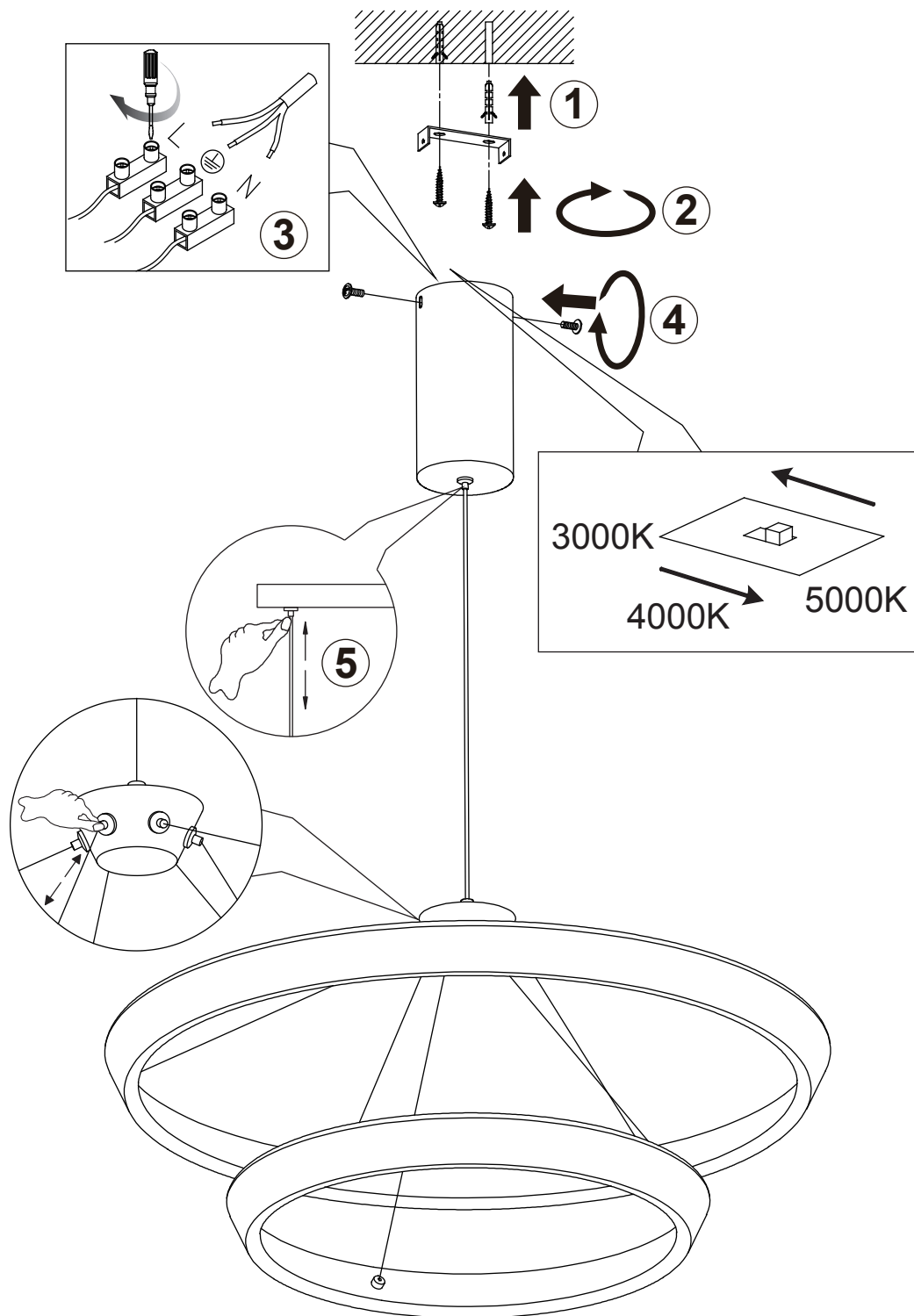


ITEM NO.: VANTEL PE2T



IP20

240V ~ 50Hz LED 48W

3000K-4000K-5000K

TRAILING EDGE DIMMER

IMPORTANT

Must be installed by
a qualified electrical
contractor.

Install in
accordance with
AS/NSZ3000.

Telbix.