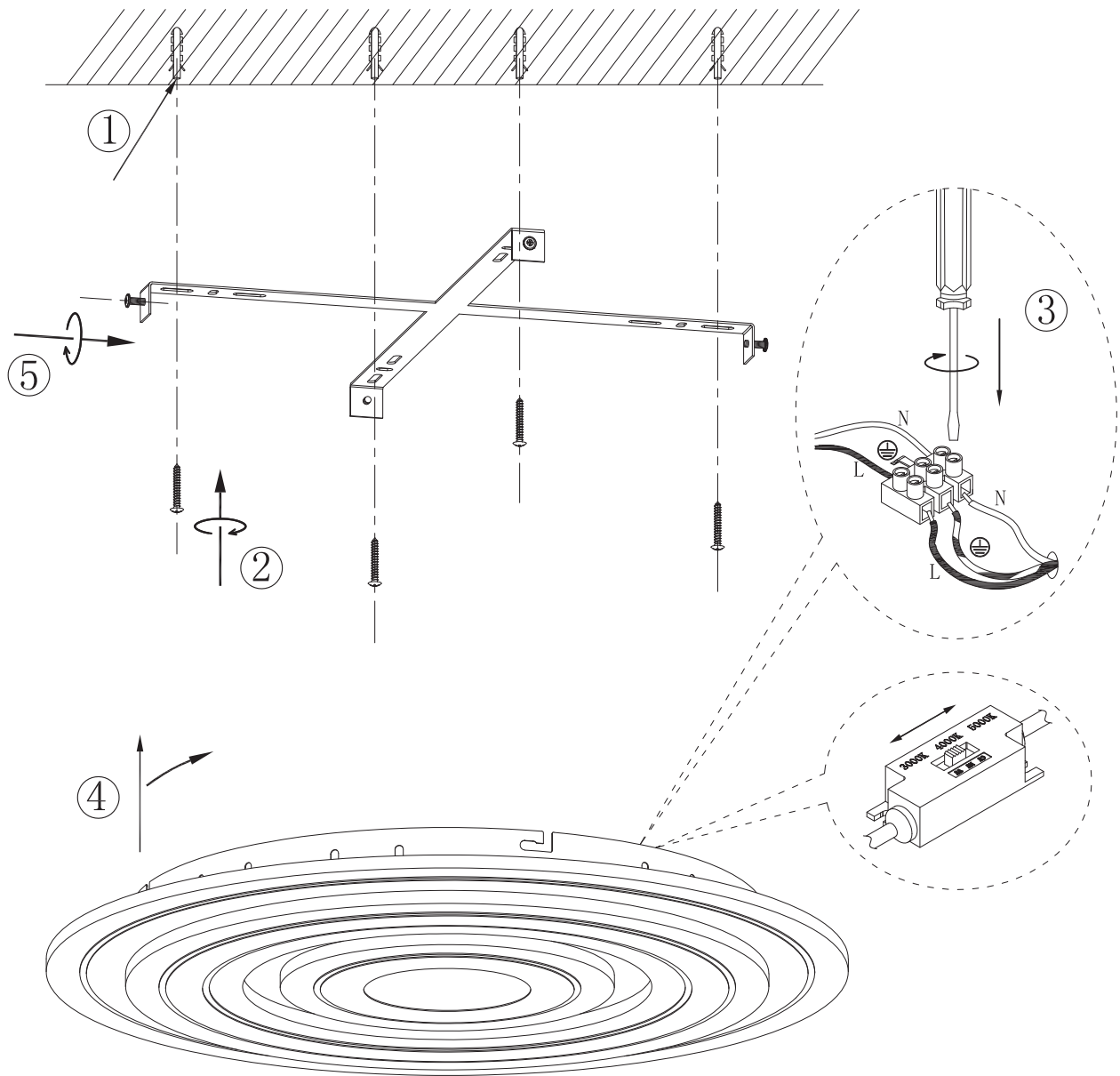


# ITEM NO.:UTICA CTC



**IP20**

**Telbix.**

240V~50Hz LED 40W  
3000K-4000K-5000K  
TRAILING EDGE DIMMER

**IMPORTANT**  
Must be installed by  
a qualified electrical  
contractor.  
Install in  
accordance with  
AS/NZS3000