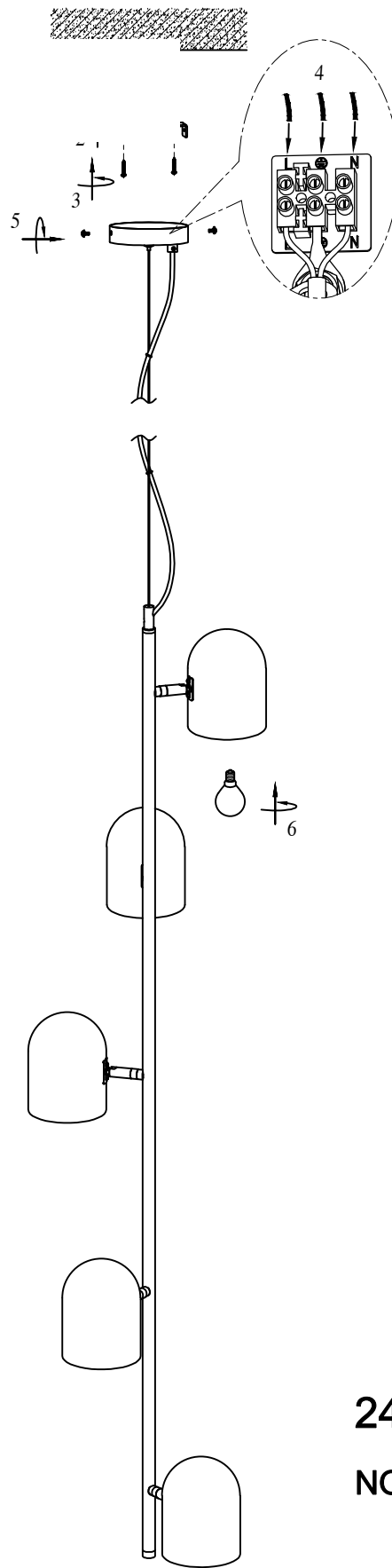


ITEM NO.:TURIN PE5

Option 1



IMPORTANT
Must be installed by
a qualified electrical
contractor.
Install in accordance
with AS/NZS3000

- Disclaimer:
- Tools not included
 - Shade ring attached on lamp holder
 - Globe(s) not included

240V ~ 50HzE14Max.25Wx3

NOTE: GLOBE NOT INCLUDED

Option 2

