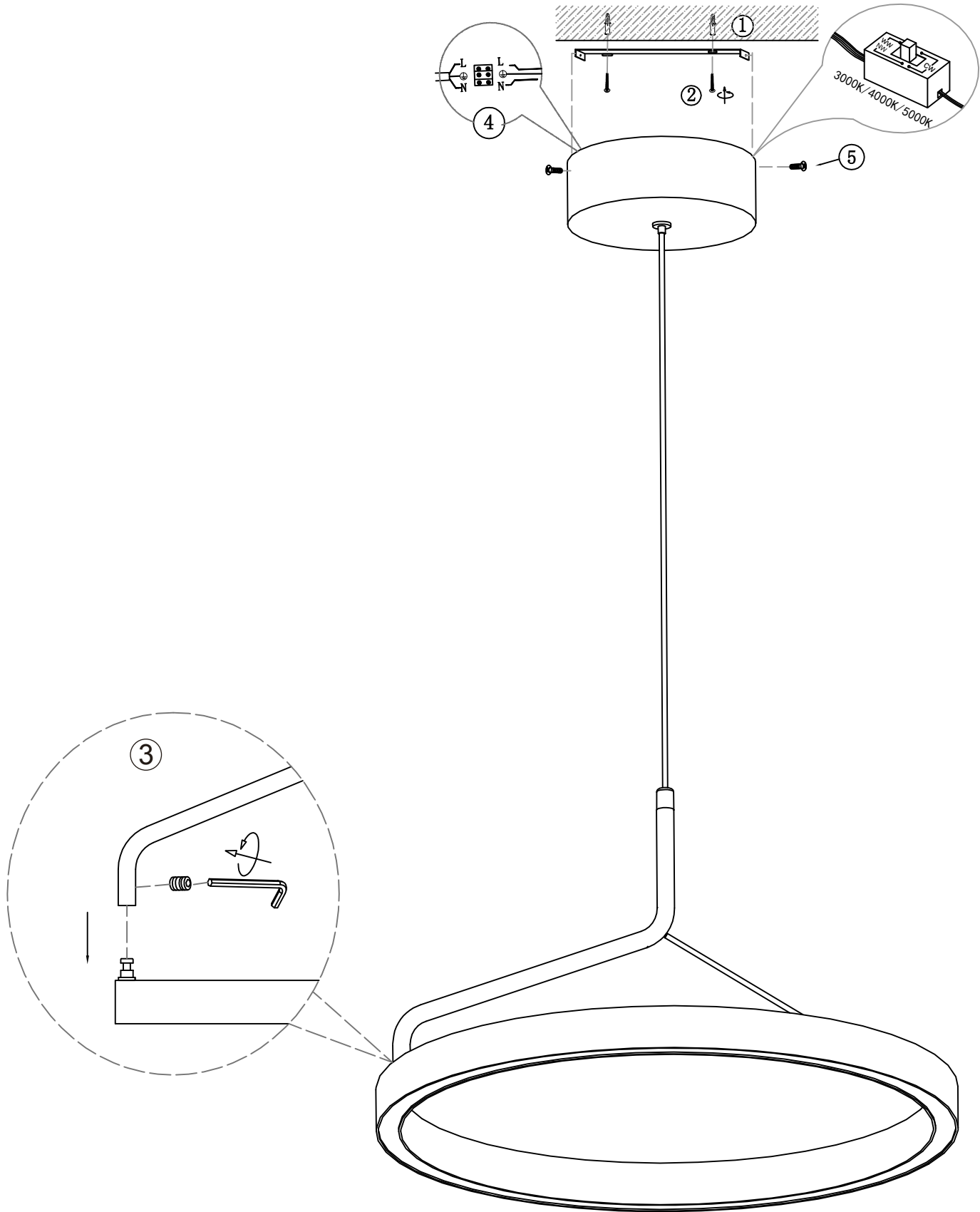


ITEM NO.:TRUVON PE40



IP20

240V ~ 50Hz LED 20W

3000K-4000K-5000K 3CCT

Non-DIM

Telbix.

IMPORTANT

Must be installed by a qualified electrical contractor.
Install in accordance with AS/NZS3000