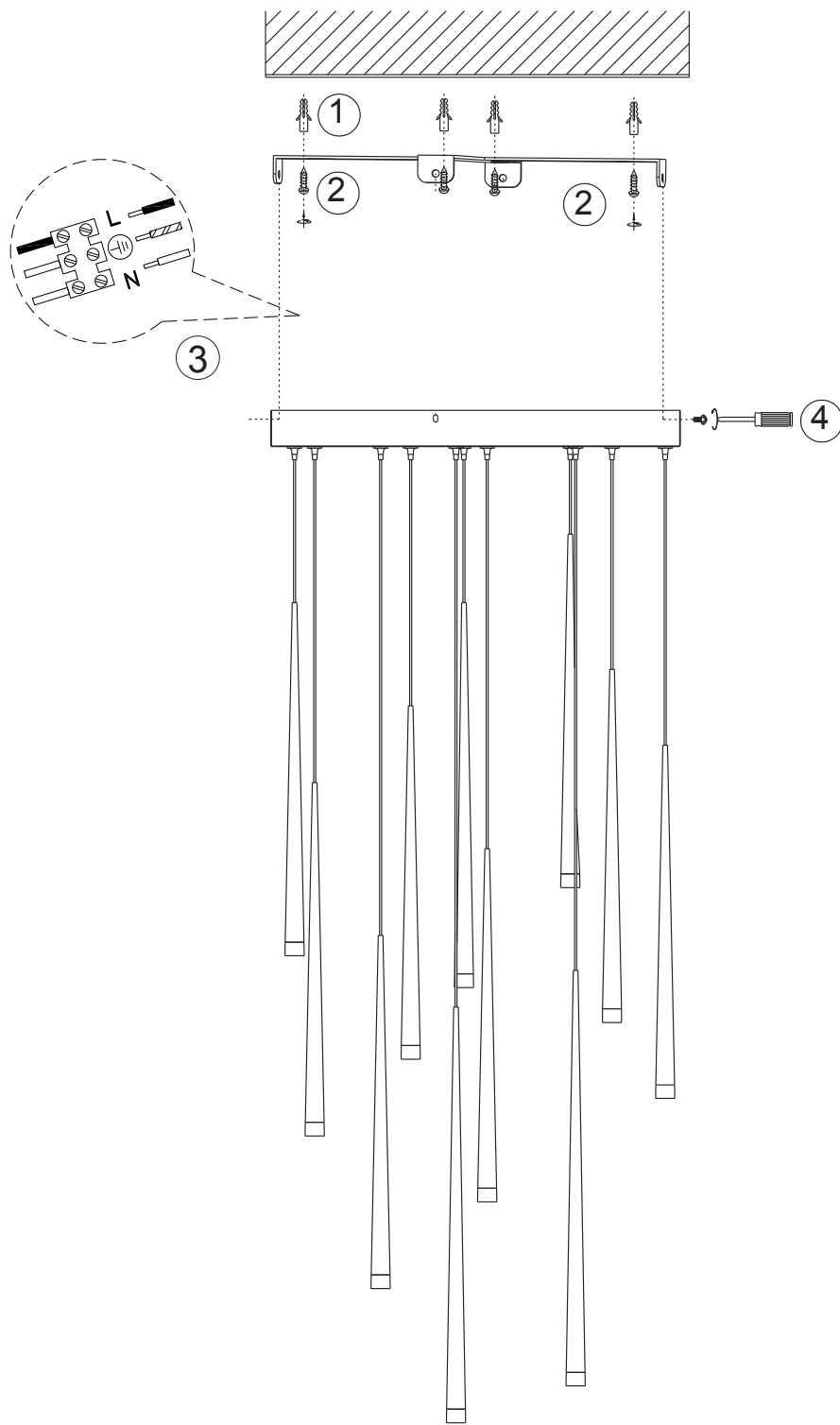


ITEM NO.: TRINA PE12



IP20

240V ~ 50Hz LED 26W 3000K

Telbix.

NON-DIM

**IMPORTANT**  
Must be installed by  
a qualified electrical  
contractor.  
Install in  
accordance with  
AS/NSZ3000.