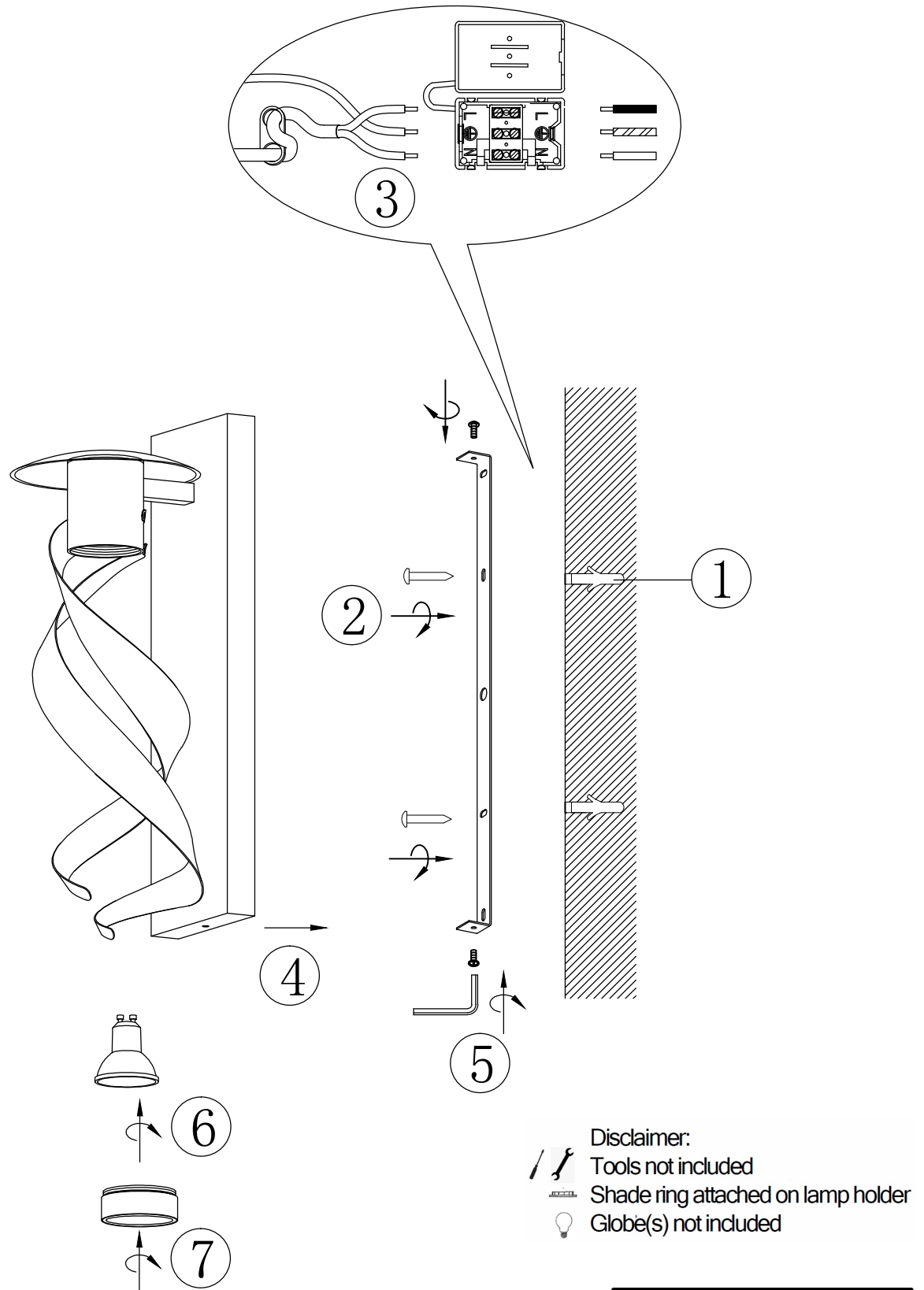


ITEM NO.: TOBERA WB



240V ~ 50Hz GU10 Max.6Wx1

NOTE: GLOBE NOT INCLUDED



Telbix.

IMPORTANT

Must be installed by a qualified electrical contractor.

Install in accordance with AS/NZ3000