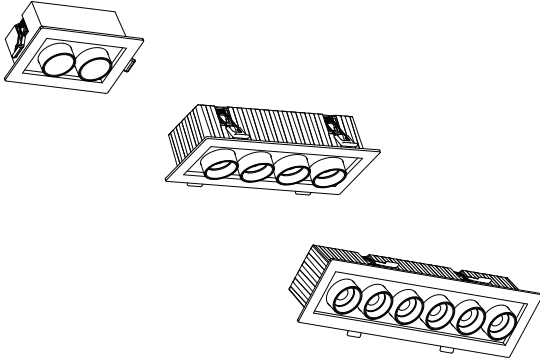


Dimension



Specification

Item Name	TILDA DL2-WH	TILDA DL4-WH	TILDA DL6-WH
Input Voltage	220-240V ~ 50Hz		
Watt	10w	20w	30w
Lumen	750Lm*	1500Lm*	2250Lm*
CCT	2700K-3200K-4000K*		
CRI	>90		
Dimmable	TRIAC		
IP Rating	IP20		
Dimensions (mm)	L140xW90xP70	L240xW90xP70	L335xW90xP70
Cut Out (mm)	L120xW70	L215xW70	L315xW70

Installation

(The product must be installed by a licensed electrician)

1 Turn mains power OFF.

2 Cut out a hole according to the table above.

3 Connect to the electricity.

4 Select desired colour temperature via switch on the driver.

5 Push the downlight into the ceiling.

6 Finished.

7 Turn mains power ON.



Installation must be performed by a qualified Electrical Contractor in accordance with the current wiring standard AS/NZS3000.
3 YEAR REPLACEMENT WARRANTY*
 with Proof of purchase and electrical installation certificate.