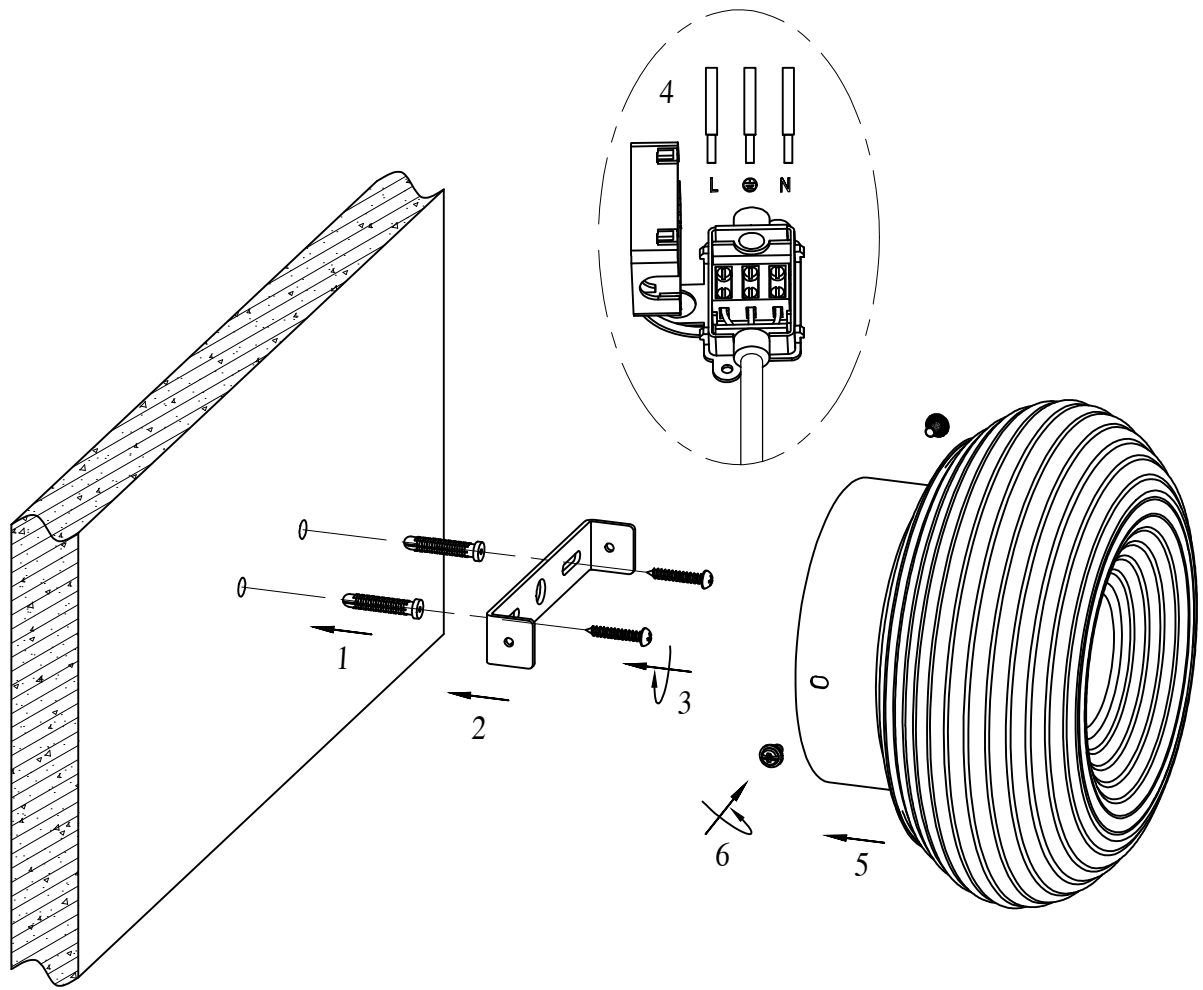


ITEM NO.: TIFTON WB20



IP44

240V ~ 50Hz LED 14W 3000K

Telbix.

NON-DIM

**IMPORTANT**  
Must be installed by  
a qualified electrical  
contractor.  
Install in  
accordance with  
AS/NSZ3000.