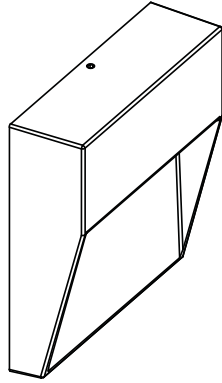


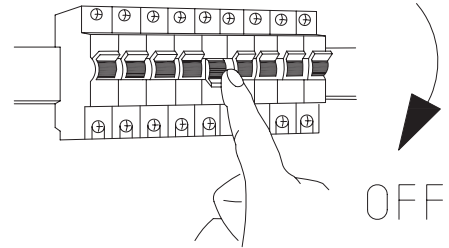
# Item Name: TERIN SQ

## ATTENTION:

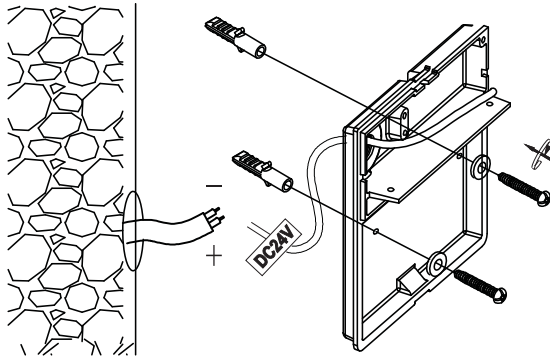
DO NOT WIRE  
FIXTURE DIRECTLY  
TO 240V MAINS.



01 Turn mains power OFF.

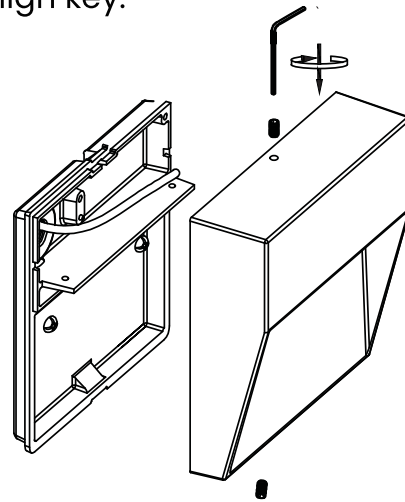


02 Remove screws from fitting.  
Connect the fitting wire to a driver.

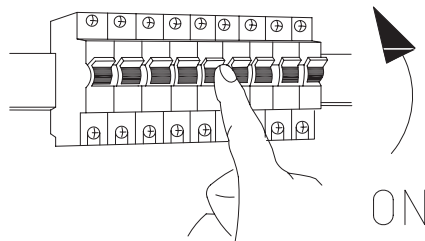


24V DC  
(DRIVER NOT INCLUDED)  
WATERPROOF CONNECTION  
REQUIRED

03 Secure the fitting with provided  
align key.



04 Turn mains power ON.



# Telbix.

24V ~ 50Hz LED  
3W 3000K Non-DIM

## IMPORTANT

Must be installed by a  
qualified electrical  
contractor.  
Install in accordance  
with AS/NZS3000.