

Telbix.

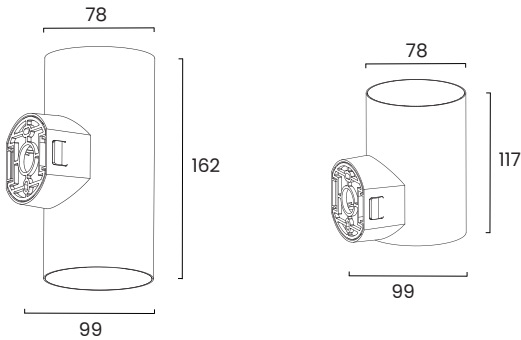
INSTALLATION

STINA WALL LAMP

Specification

Item Name	STINA EXWB1	STINA EXWB2
Input Voltage	220-240V ~ 50Hz	
Watt	9w	18w
Lumen	750Lm*	1400Lm*
CCT	2700K-3200K-4000K*	
CRI	>90	
Dimmable	NON-DIMMABLE	
IP Rating	IP65	
Dimensions (mm)	L:117 x W:78 x P:99	L:162 x W:78 x P:99

Dimension



Installation

(The product must be installed by a licensed electrician)

- 1 Turn mains power OFF.
- 2 Remove bracket from fitting.
- 3 Use the screws to install the bracket.
- 4 Connect the cable wire.
- 5 Select desired colour temperature via switch.
- 6 Install the light into the bracket. Ensure the fitting has firmly clicked into bracket.
- 7 Turn mains power ON.



Installation must be performed by a qualified Electrical Contractor in accordance with the current wiring standard AS/NZS3000.
3 YEAR REPLACEMENT WARRANTY*
 with Proof of purchase and electrical installation certificate.

Contact Us: sales@telbix.com

TELPIX PTY LTD. A.B.N. 14 005 453 547