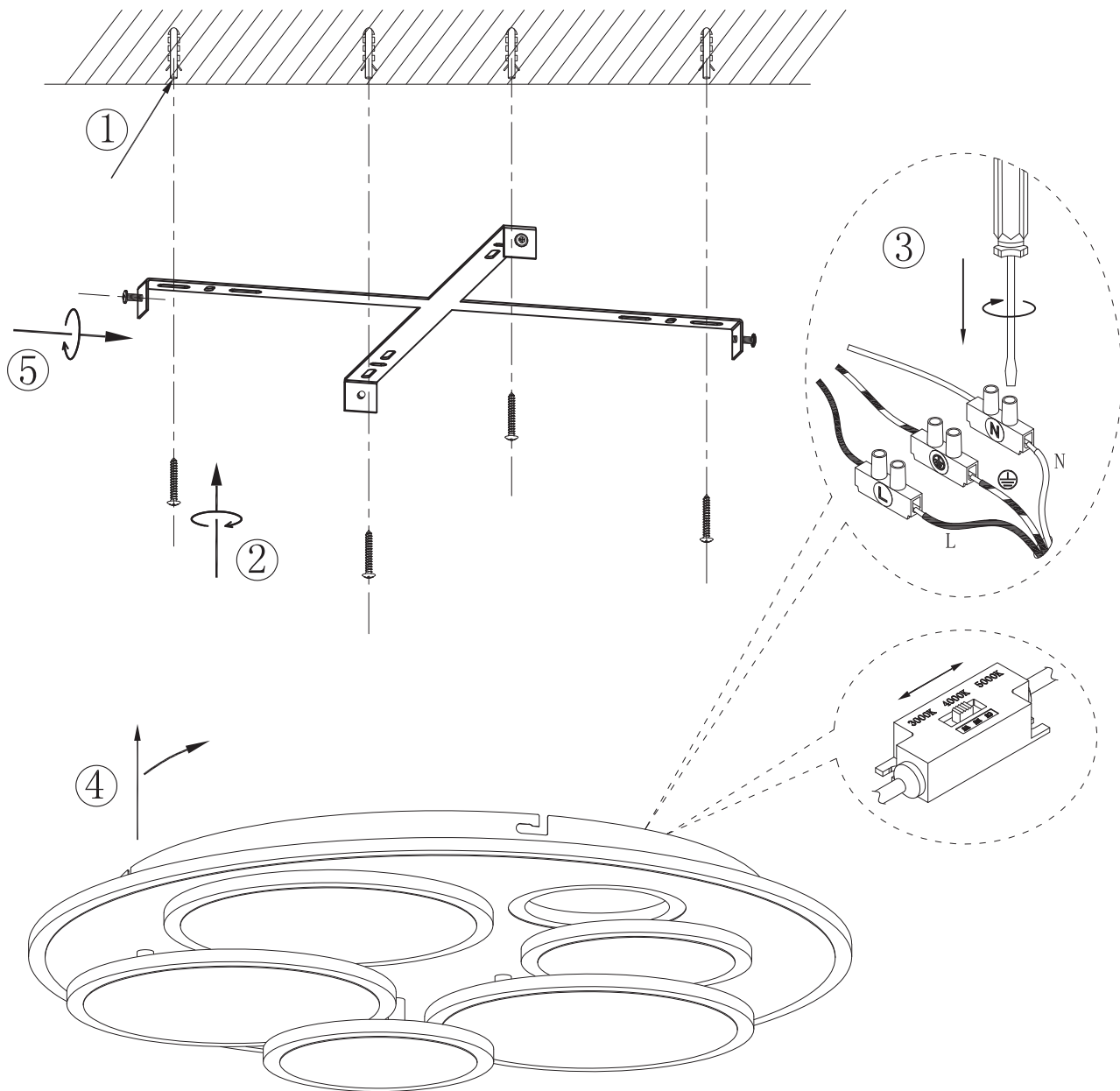


ITEM NO.:STELLAR CTC



IP20

240V~50Hz LED 48W

3000K-4000K-5000K

TRAILING EDGE DIMMER

Telbix.

IMPORTANT
Must be installed by
a qualified electrical
contractor.
Install in
accordance with
AS/NZS3000