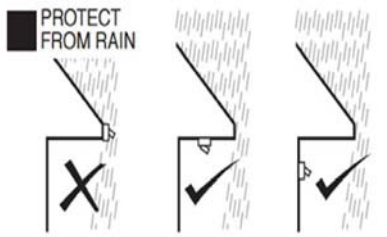
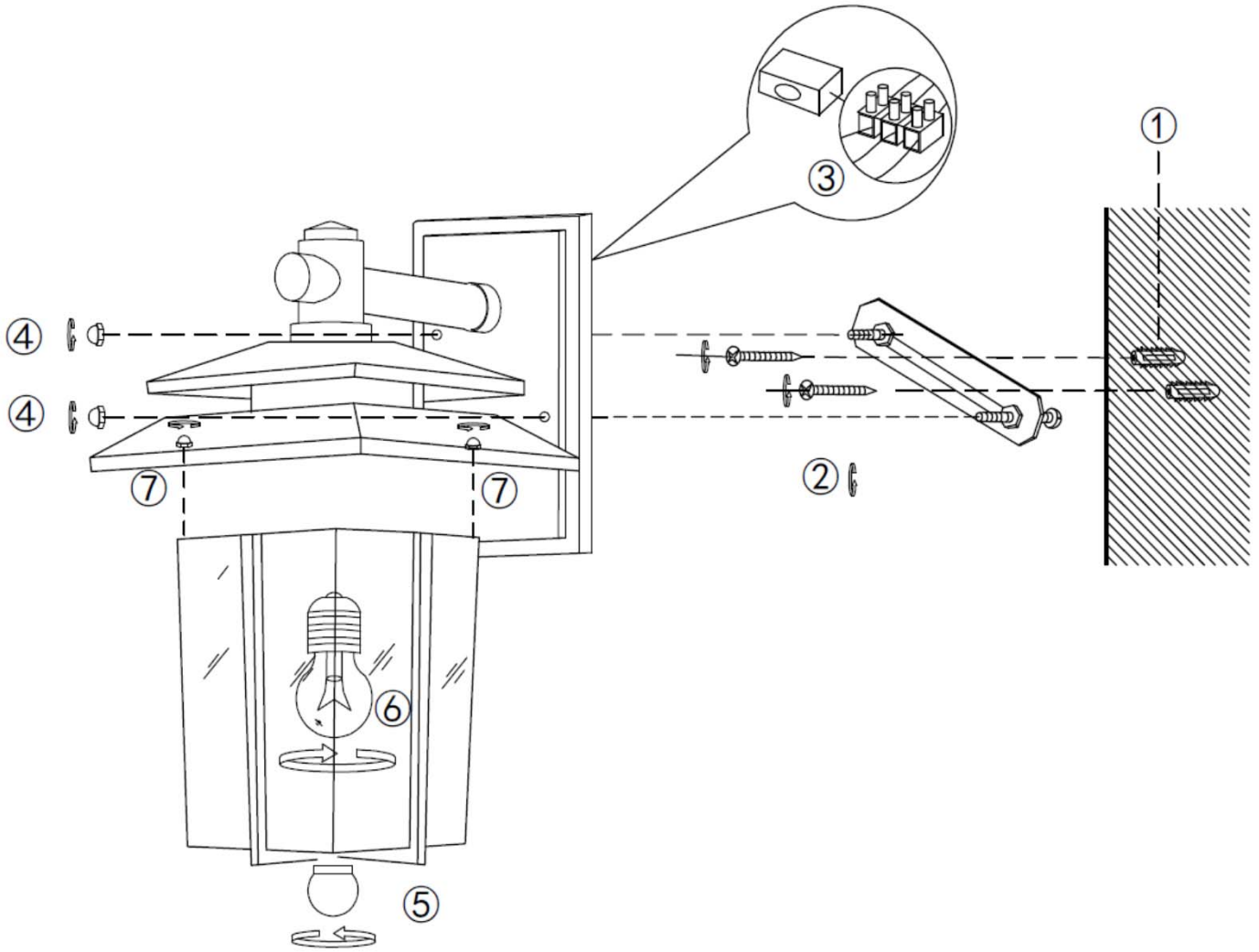





ITEM NO.:SILVAN EX-BK/OP



- Disclaimer:
-  Tools not included
 -  Shade ring attached on lamp holder
 -  Globe(s) not included



Telbix.

240V ~ 50Hz E27 Max.25W x1

NOTE: GLOBE NOT INCLUDED

IMPORTANT
Must be installed by a qualified electrical contractor.
Install in accordance with AS/NZ3000