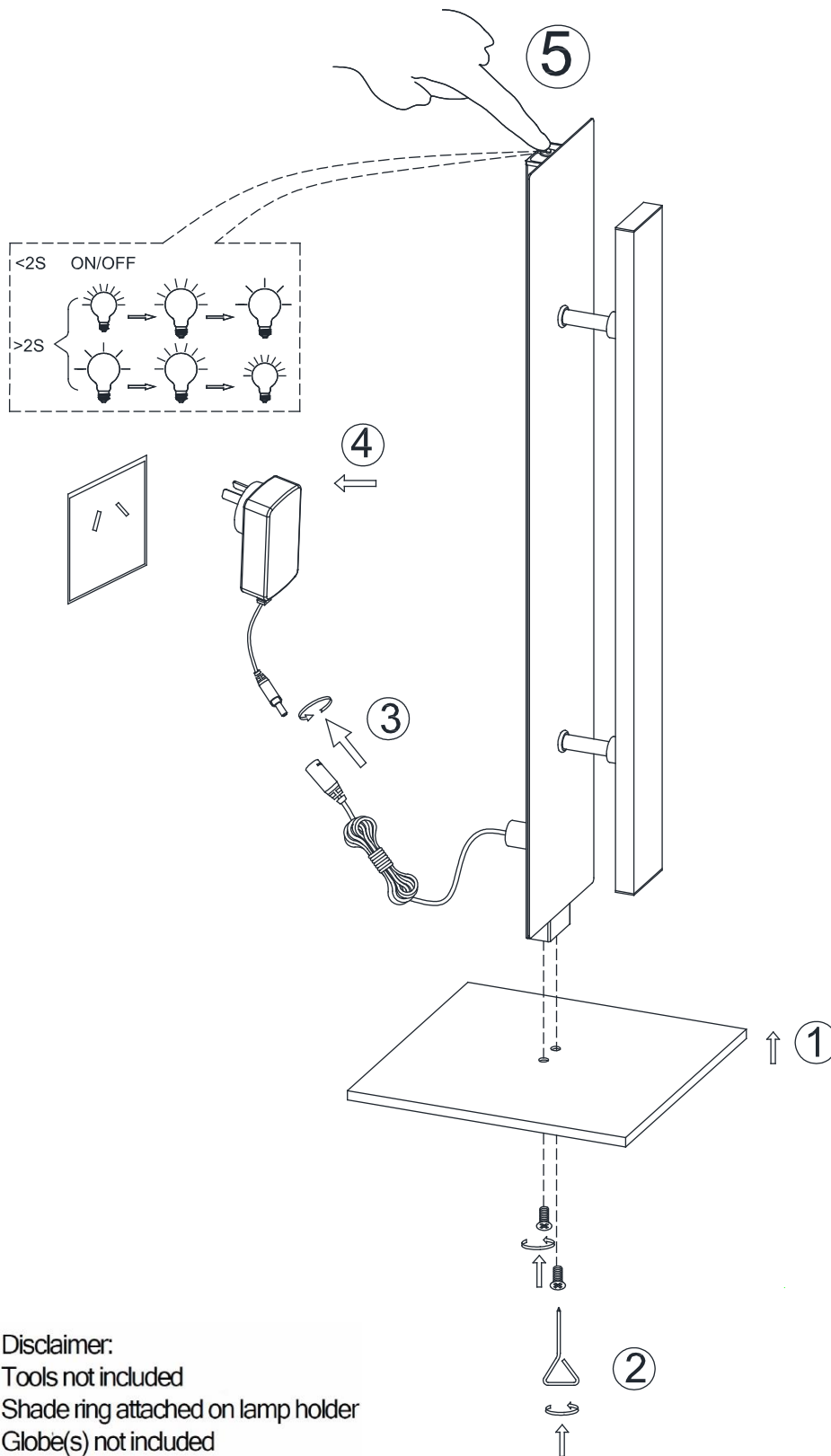


ITEM NO.: SERANO2 TL



telbix.

240V~50Hz / LED 9W