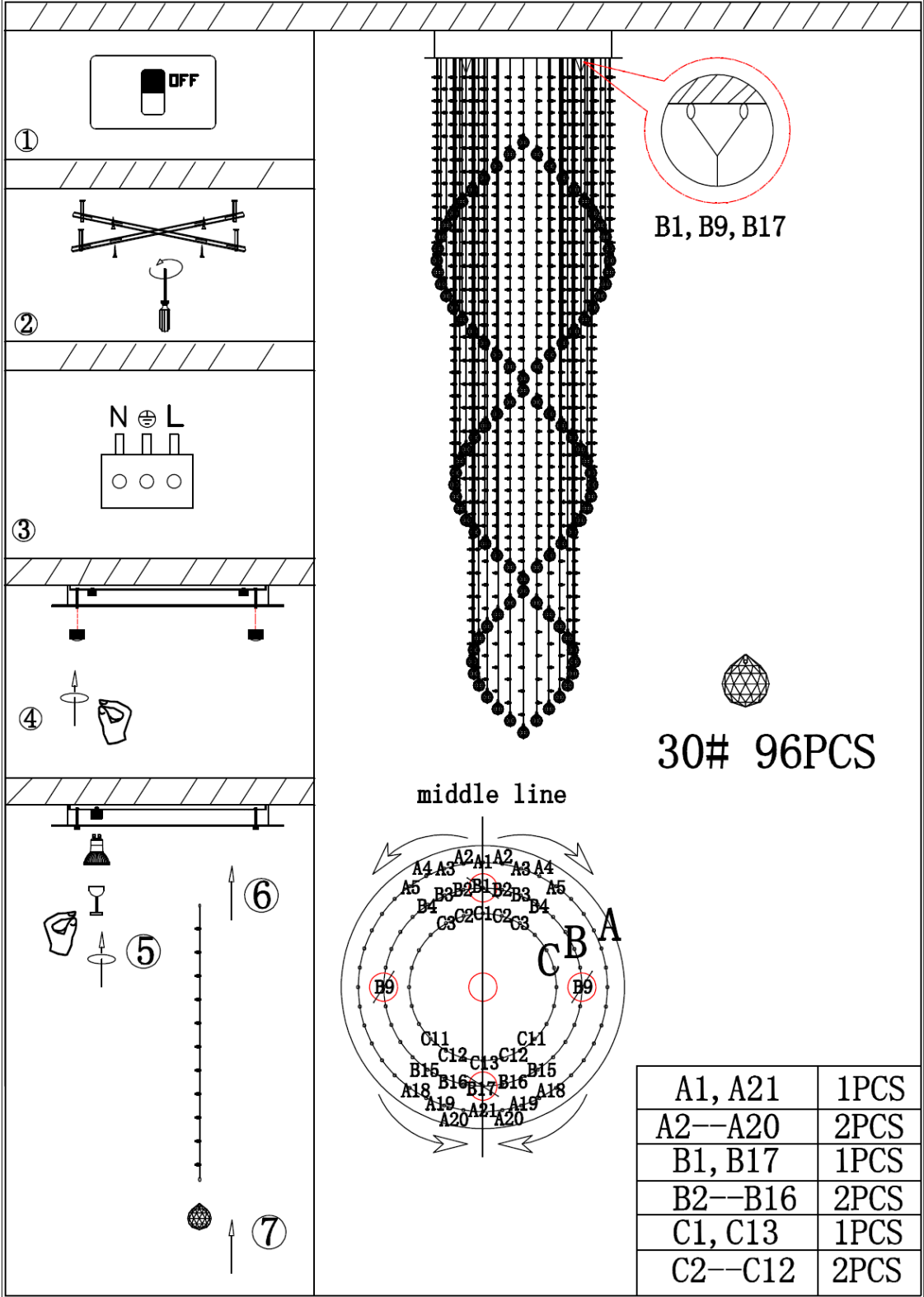


# ITEMNO.:SAVINA PE18-CH



240V ~ 50Hz GU10 Max.6Wx5

**Telbix.**

NOTE: GLOBE NOT INCLUDED

### IMPORTANT

Must be installed by a qualified electrical contractor.

Install in accordance with AS/NZ3000