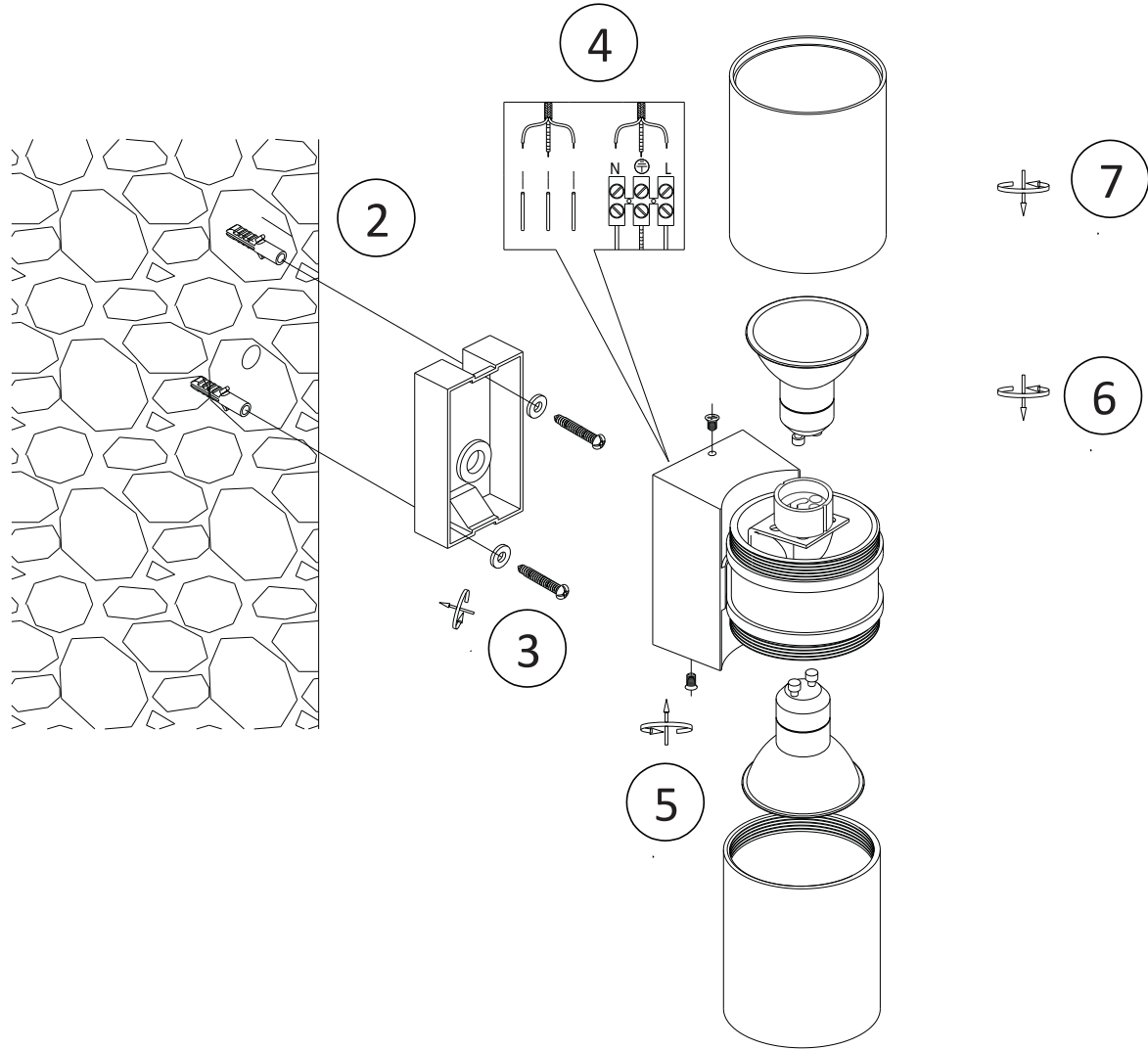
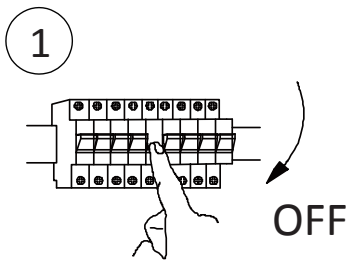


# ITEM NO.:SARNEL EX2



**IMPORTANT**  
Must be installed by a qualified electrical contractor.  
Install in accordance with AS/NZS3000

240V ~ 50Hz GU10 Max.6Wx2  
NOTE: GLOBENOT INCLUDED

