

SAFETY INFORMATION

Please read and understand this entire manual before attempting to assemble, operate or install the product.

WARNING

IMPORTANT: NEVER attempt any work without shutting off the electricity.

- Go to the main fuse box, or circuit breaker, in your home. Place the main power switch in the "OFF" position and switch "OFF" the circuit breaker switch(es), that control the power to the fixture or room that you are working on.
- Place the wall switch in the "OFF" position.
- This fixture is for indoor use only.
- Use ONLY the supplied LED driver to power fixture.
- The LED driver is not intended for use through or concealed behind walls or ceilings.

PREPARATION

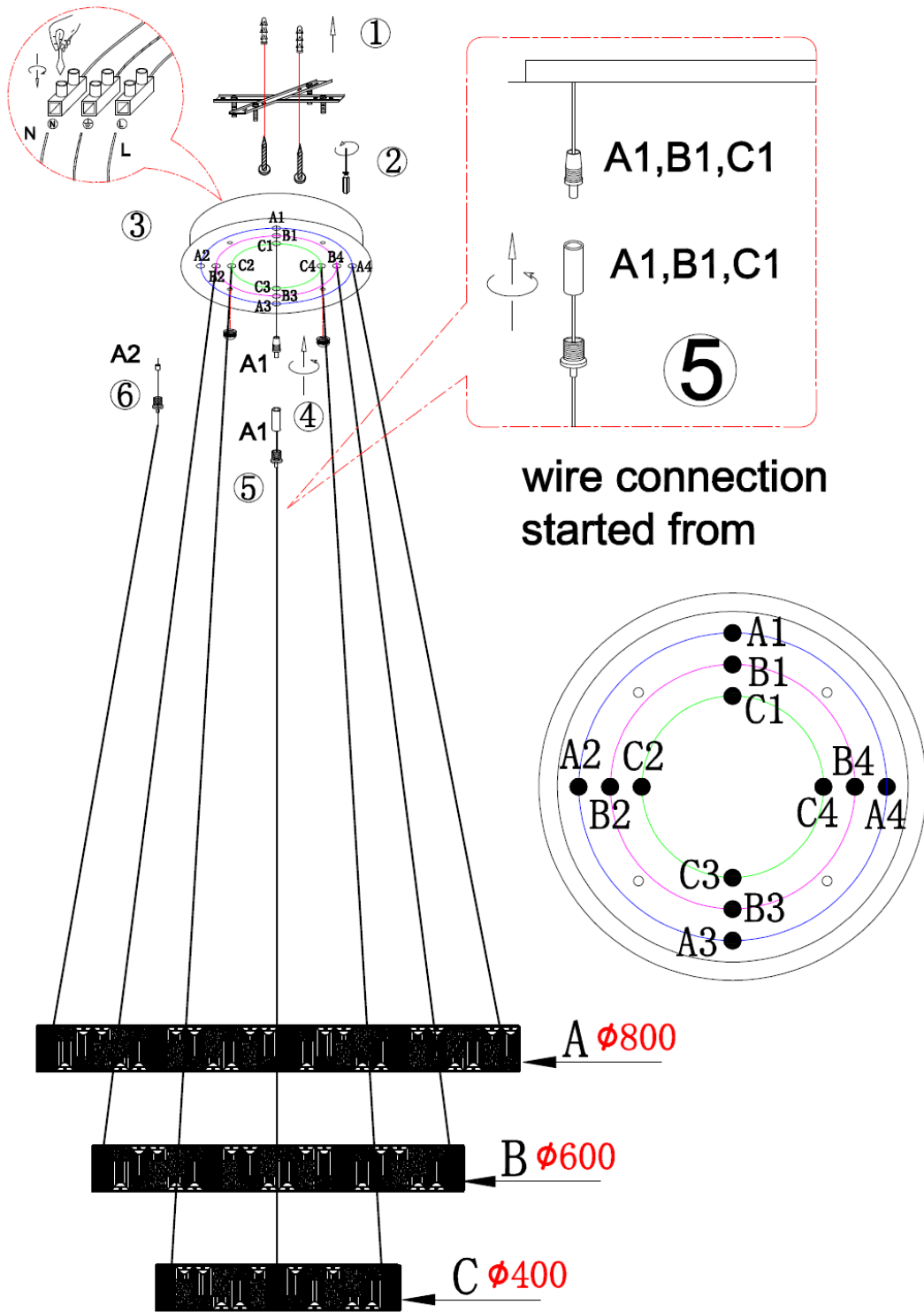
- Prior to installing the fitting, make sure to scan the QR code and fill in the form.
- Check all parts are present and perform bench testing.
- Pair the fitting with the remote control (instruction is on the remote box).
- If any part is missing or damaged, do not attempt to install the fitting.



CARE AND MAINTENANCE

- Always be certain that electric current is turned off before cleaning this item.
- Use a soft, moist cloth with mild non-abrasive soap to clean fixture. Never use glass cleaner on fixture, as it will damage the metal finish.

ITEM NO.:RIAS PE3T



wire connection started from

IMPORTANT
 Must be installed by a qualified electrical contractor.
 Install in accordance with AS/NSZ3000

240V ~ 50Hz LED 114W 3000K-4000K-6500K

3CCT-DIM by Remote

REMOTE CONTROL 2.4G - For JURA and RIAS



INSTRUCTION:

1. Pairing

Press and hold one of the A/B/C buttons, followed by turning ON the light from wall switch. The flashing fixture light indicates a successful pairing.

2. Unpairing

Press and hold one of the O button, followed by turning ON the light from wall switch. The flashing fixture light indicates a successful unpairing.

Telbix.