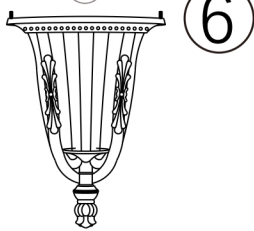
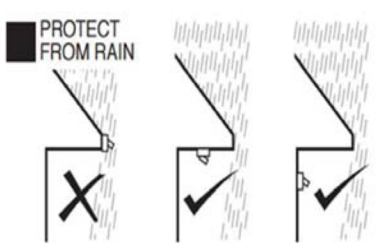
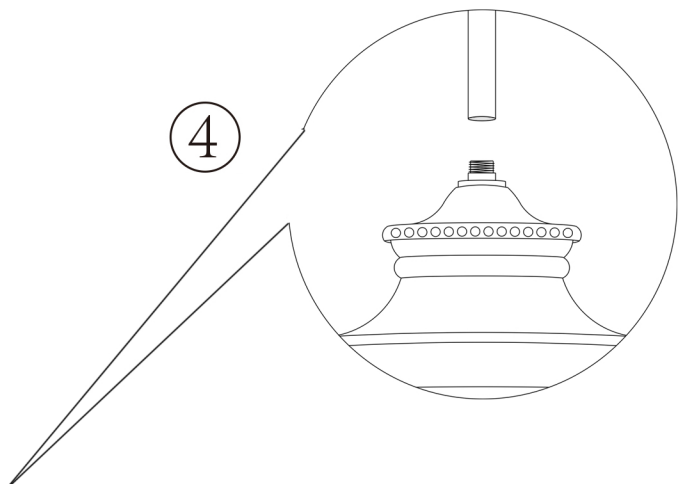
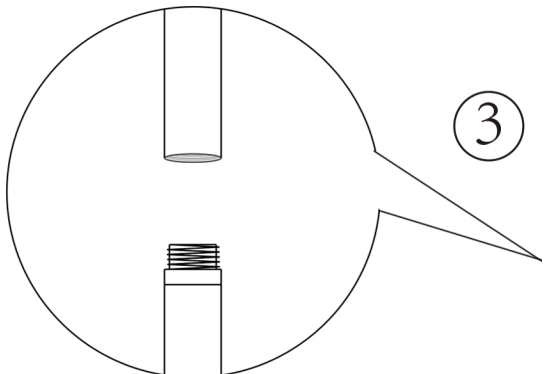
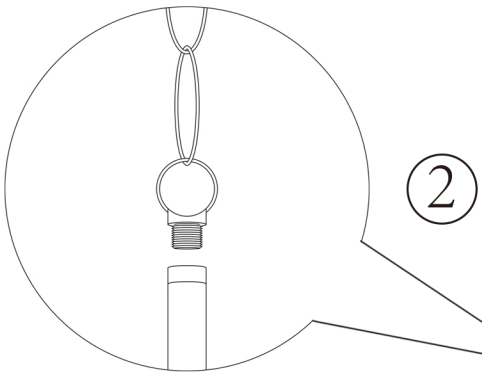
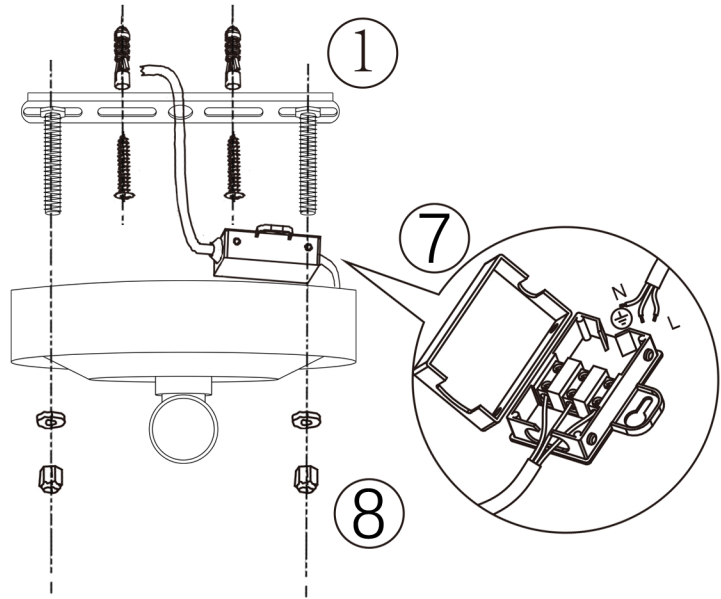
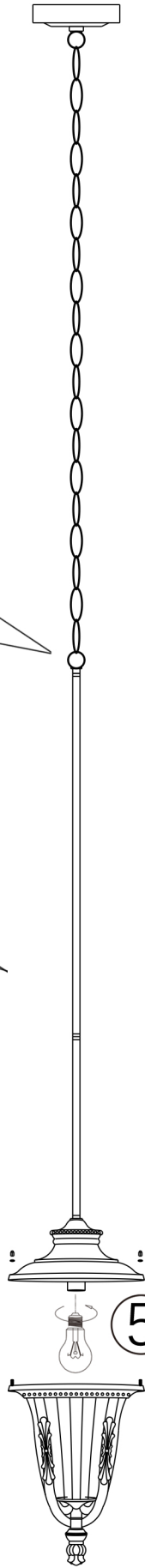





# ITEMNO.: RAMIRO PE



Disclaimer:  
 Tools not included  
 Shade ring attached on lamp holder  
 Globe(s) not included

**IMPORTANT**  
 Must be installed by a qualified electrical contractor.  
 Install in accordance with AS/NZS3000