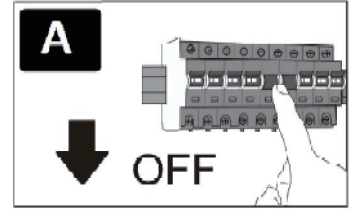
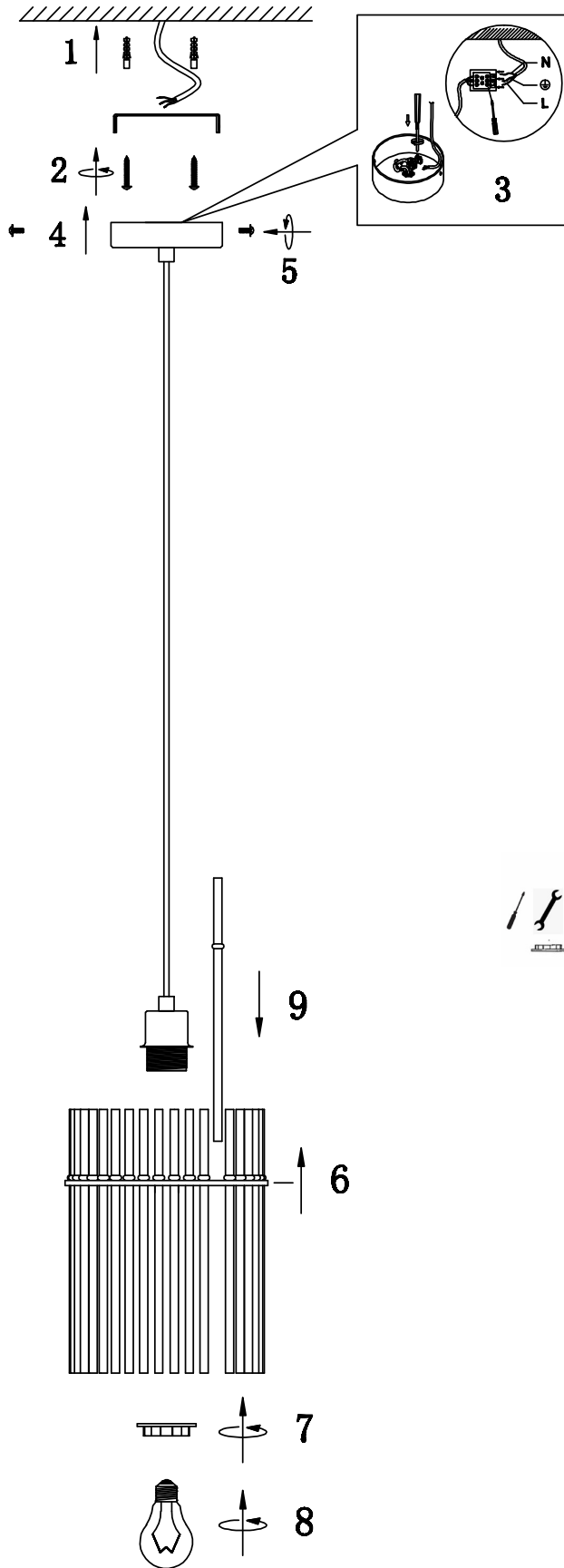




telbix.

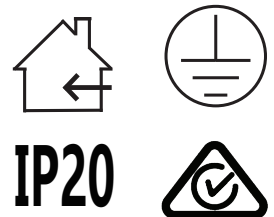
ITEM NO.: QUILO PE20-BKSM

B



 Disclaimer:
Tools not included
 Shade ring attached on lamp holder

IMPORTANT
Must be installed by
a qualified electrical
contractor.
Install in accordance
with AS/NZS3000



240V~50Hz 1x25wE27max.

NOTE: GLOBE NOT INCLUDED

