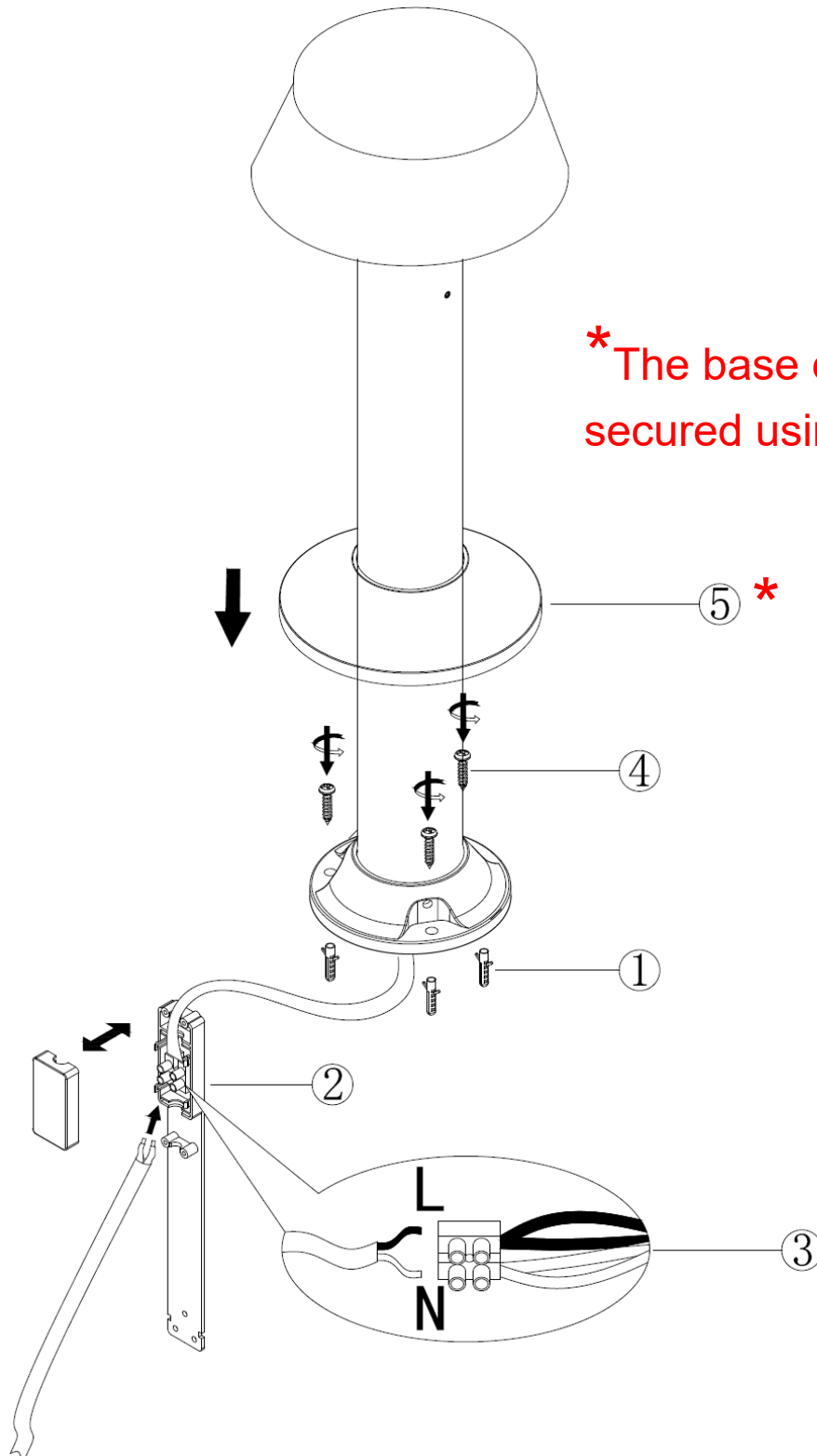


ITEM NO.: PYRUS EX.P



*The base cover cap (5) can be secured using silicone adhesive.

IMPORTANT
Must be installed by a qualified electrical contractor.
Install in accordance with AS/NZS3000

240V ~ 50Hz LED 12W

3000K NON-DIM

Telbix.

IP65

