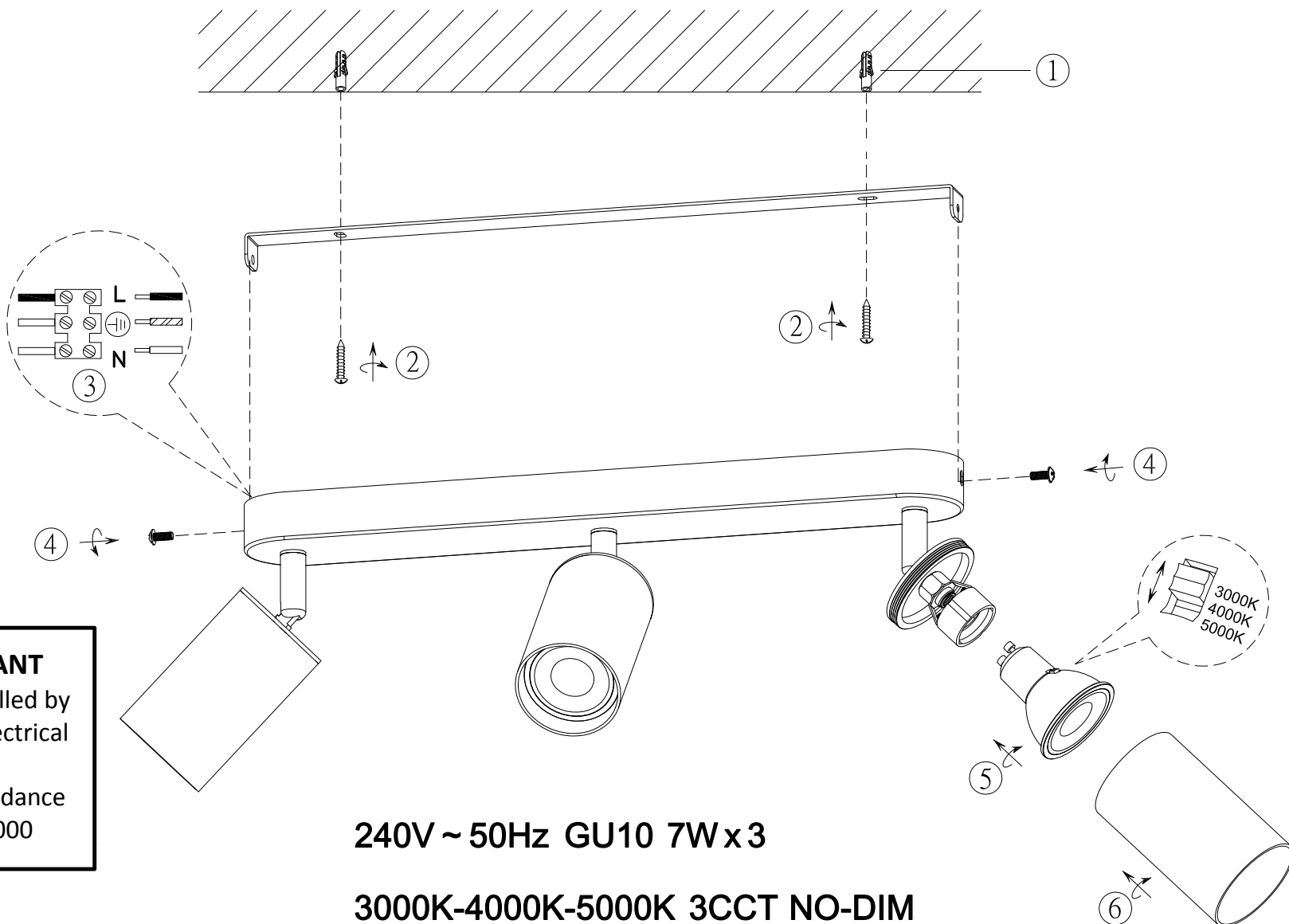


ITEM NO.: PICARD SP3



IMPORTANT
Must be installed by
a qualified electrical
contractor.
Install in accordance
with AS/NZS3000

240V ~ 50Hz GU10 7Wx3

3000K-4000K-5000K 3CCT NO-DIM

NOTE: GLOBE INCLUDED

