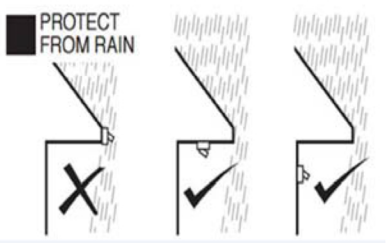
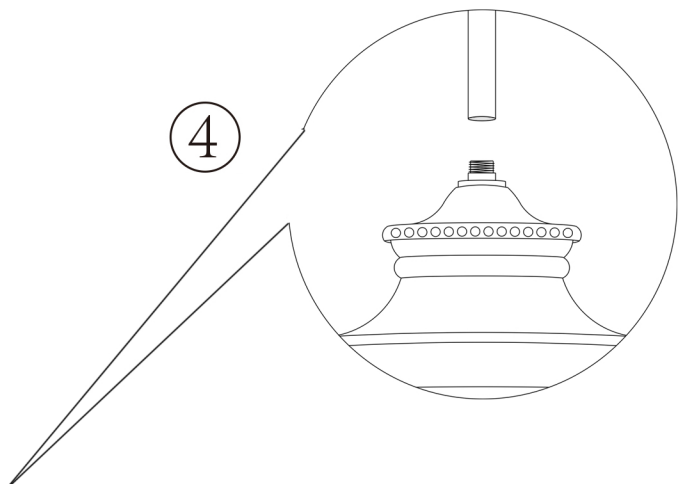
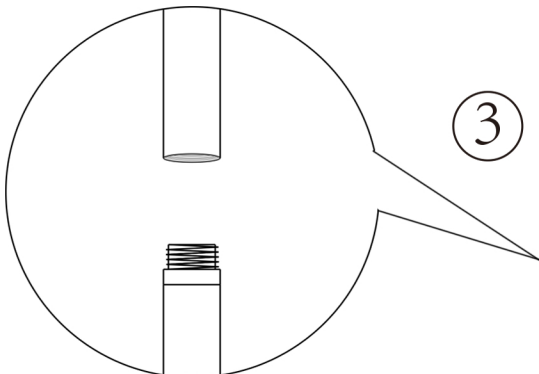
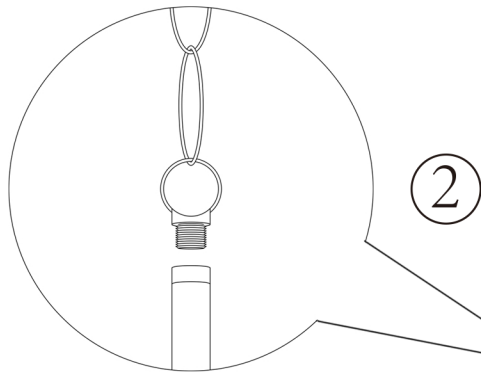
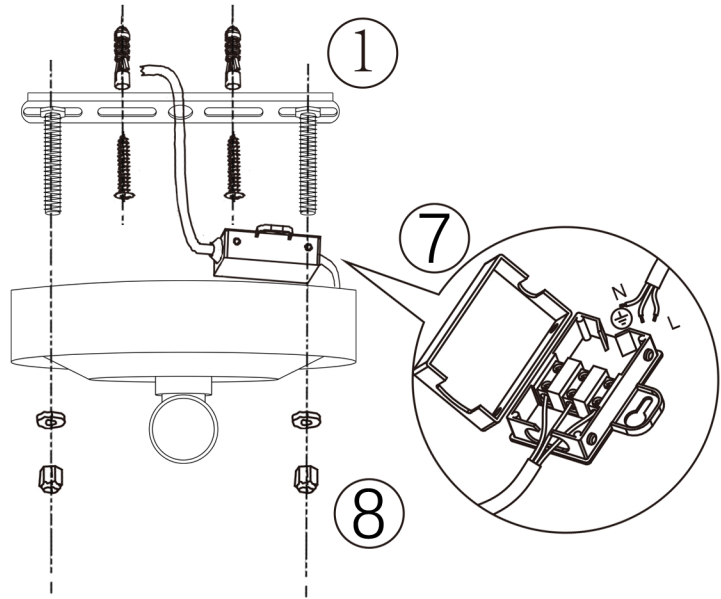
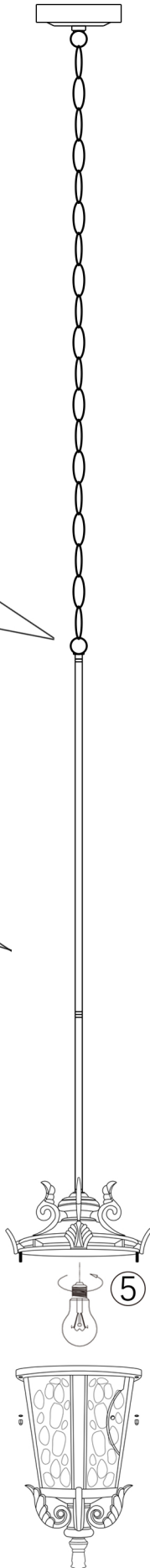
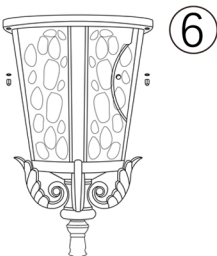


ITEMNO.: PEDRAL PE



Disclaimer:
 Tools not included
 Shade ring attached on lamp holder
 Globe(s) not included



IMPORTANT
 Must be installed by a qualified electrical contractor.
 Install in accordance with AS/NZS3000

240V ~ 50Hz E27 Max.25W x1

NOTE: GLOBE NOT INCLUDED



Telbix.