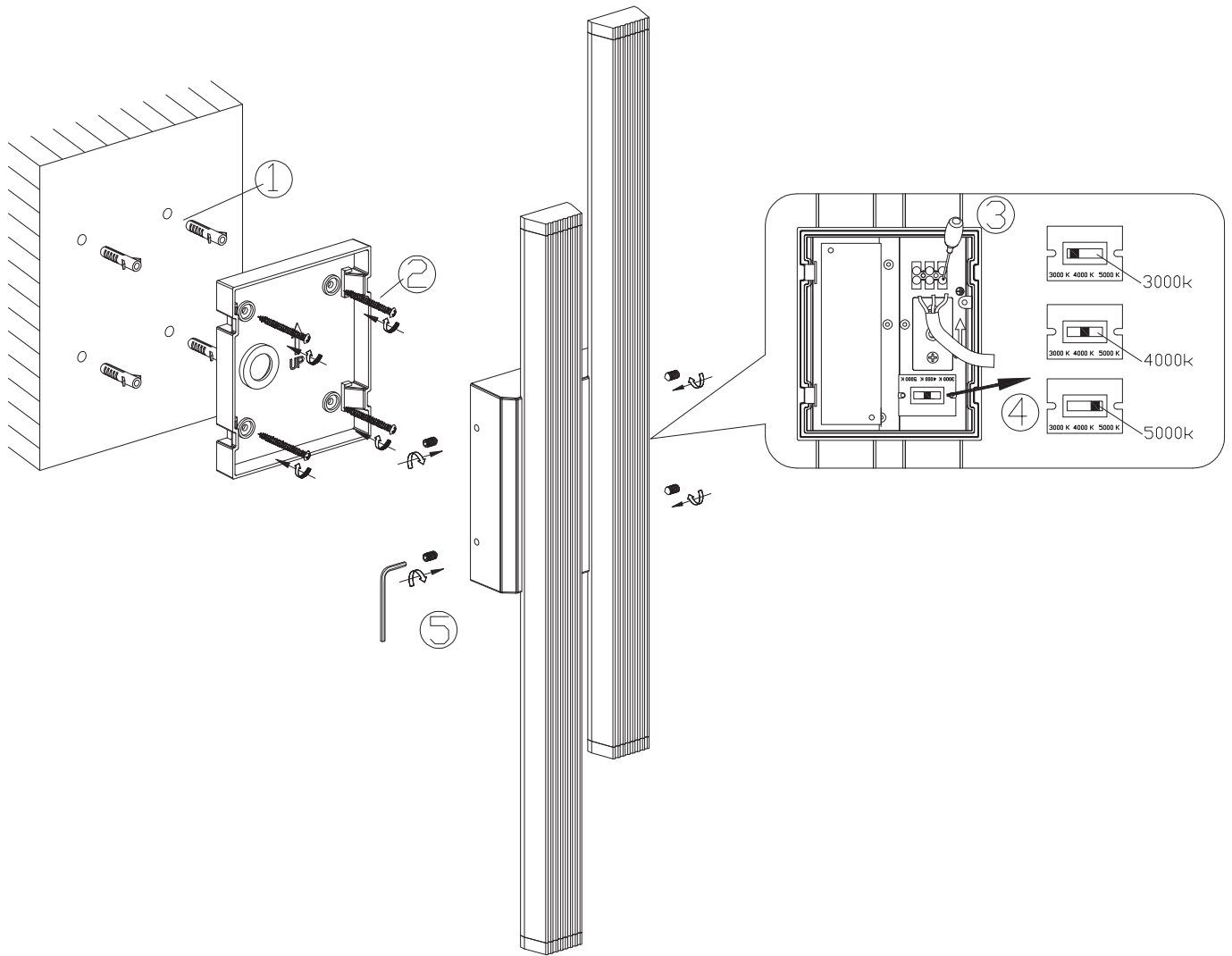


ITEM NO.:OSTEL EX2



IP54

Telbix.

240V ~ 50Hz LED 20W

3000K-5000K 3CCT NON-DIM

IMPORTANT

Must be installed by a qualified electrical contractor.
Install in accordance with AS/NSZ3000