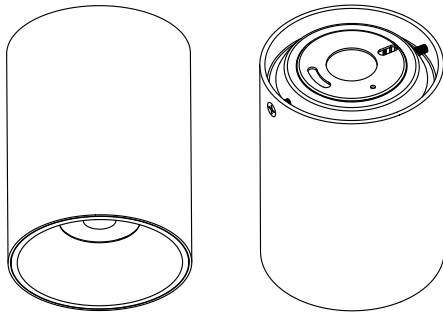


Dimension



Specification

Item Name	OREN CTC912	OREN CTC915	OREN CTC918
Input Voltage	220-240V ~ 50Hz		
Watt	12w	18w	24w
Lumen	1150Lm*	1680Lm*	2060Lm*
CCT	2700K / 3000K / 4000K		
CRI	>92		
Dimmable	TRIAC		
IP Rating	IP54		
Diameter (mm)	90	90	90
Height (mm)	120	150	180

Installation

(The product must be installed by a licensed electrician)

1 Turn mains power OFF

2 Remove installation bracket from the lamp body.

Accessory:

- Rawl Plugs
- Screws

3 Mount the bracket using screws provided (and rawl plugs if necessary).

OREN CTC912
CCT switch is on the Driver

4 Open the junction box, Connect mains wiring to terminal block and refit junction box. Select desired colour temperature via switch.

OREN CTC915 / OREN CTC918
CCT switch is on the DC cable box

Select desired colour temperature via switch.

5 Put back junction box in the fitting.

6 Mount light into the bracket. Make sure the light is locked securely.

7 Turn mains power ON.



Installation must be performed by a qualified Electrical Contractor in accordance with the current wiring standard AS/NZS3000.
3 YEAR REPLACEMENT WARRANTY*
 with Proof of purchase and electrical installation certificate.