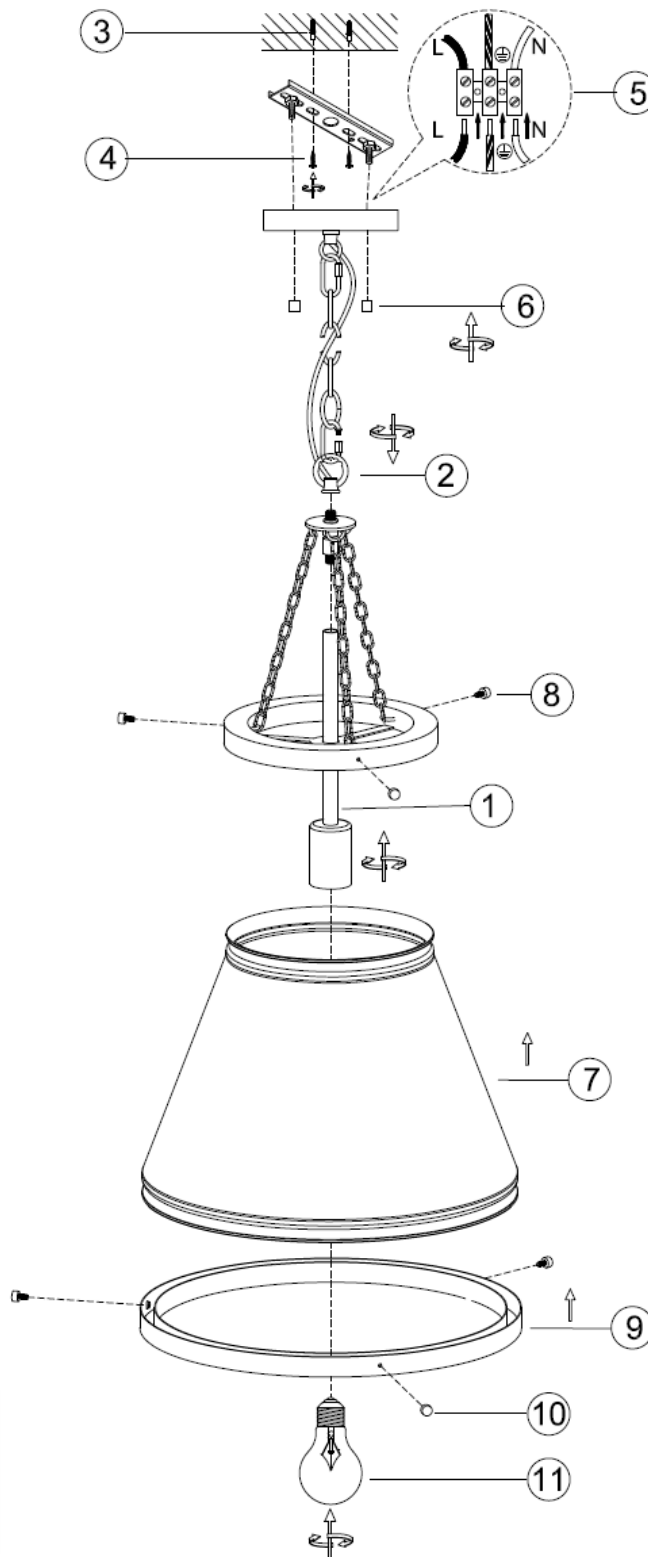


ITEM NO.:OLMONT PE



Disclaimer:



Tools not included



Shade ring attached on lamp holder



Globe(s) not included

240V ~ 50Hz E27 Max.25Wx1

NOTE: GLOBE NOT INCLUDED

IMPORTANT

Must be installed by a qualified electrical contractor. Install in accordance with AS/NZS3000



Telbix.