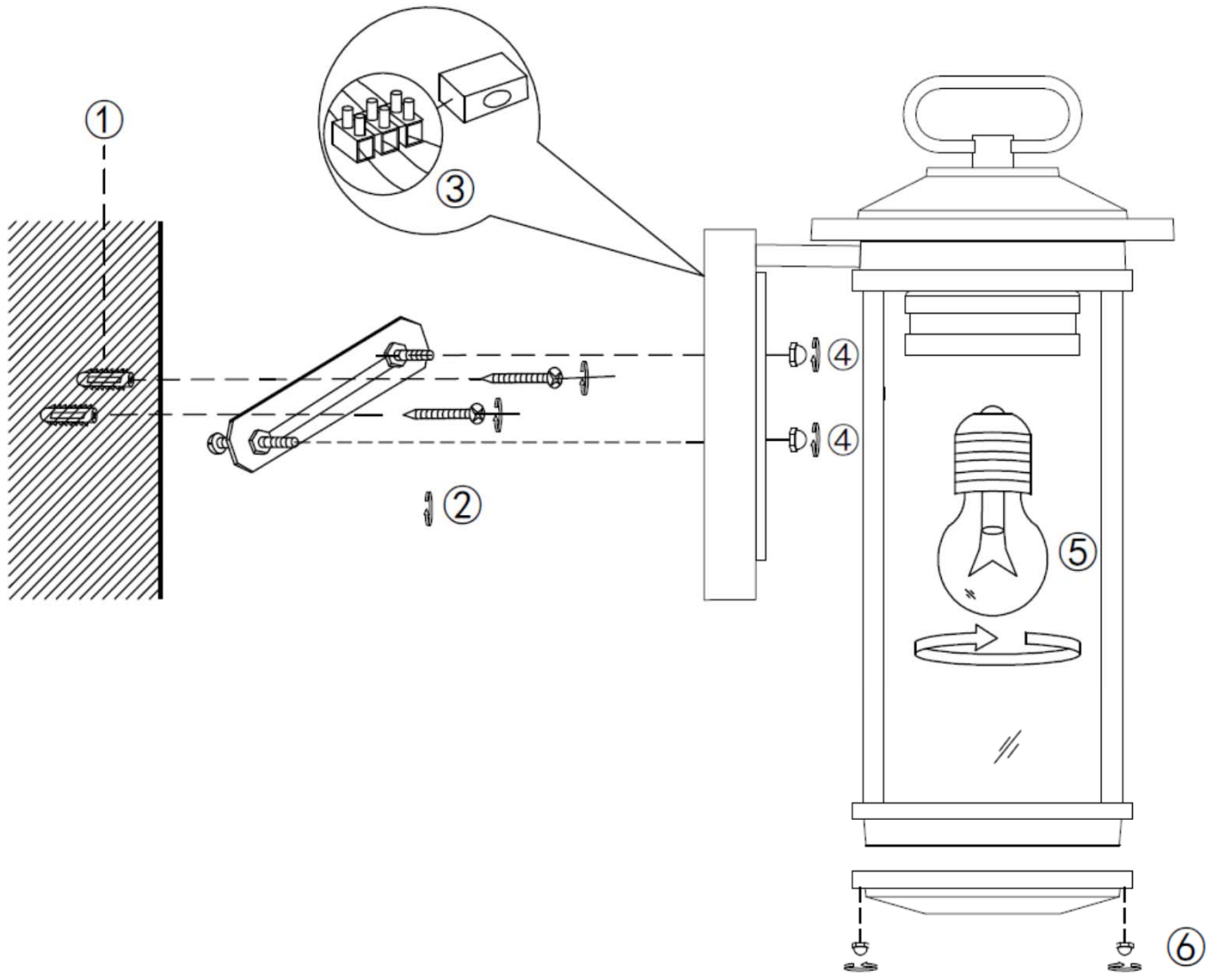
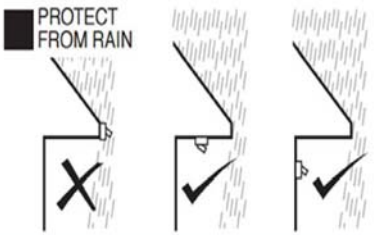


# ITEM NO.:NEVIN EX-BK






PROTECT FROM RAIN



240V ~ 50Hz E27 Max.25W x1

**telbix.**

NOTE: GLOBE NOT INCLUDED

- Disclaimer:
-  Tools not included
  -  Shade ring attached on lamp holder
  -  Globe(s) not included

**IMPORTANT**

Must be installed by a qualified electrical contractor.  
Install in accordance with AS/NZ3000