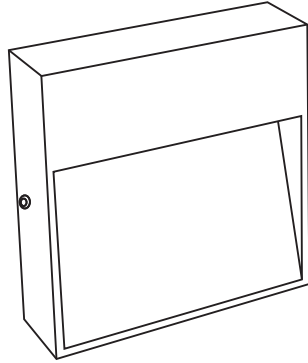


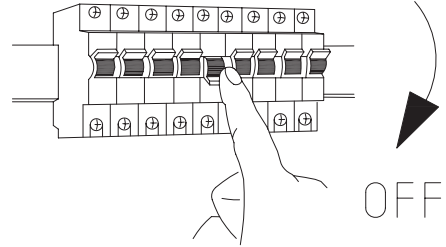
# Item Name: MUSAN SQ

## ATTENTION:

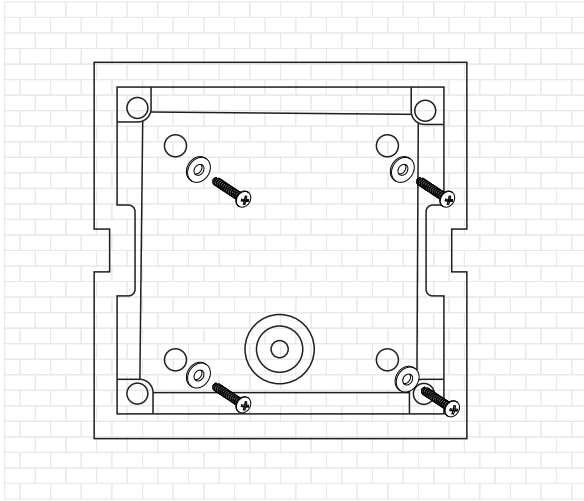
DO NOT WIRE  
FIXTURE DIRECTLY  
TO 240V MAINS.



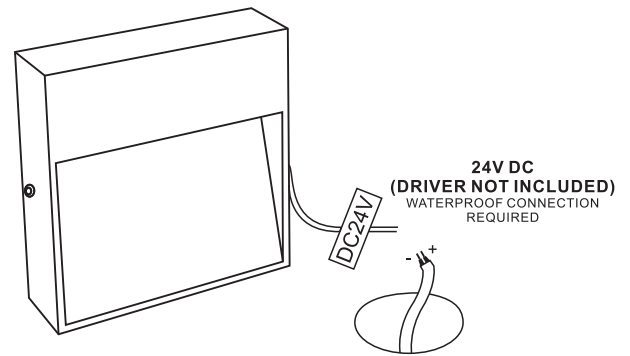
01 Turn mains power OFF.



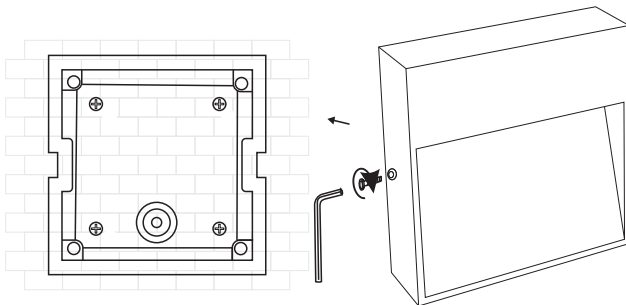
02 Remove screws from fitting.



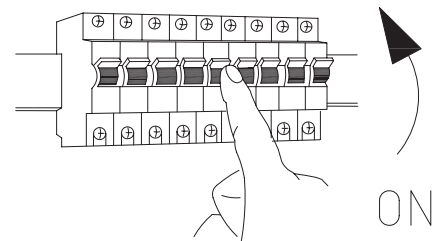
03 Connect the fitting wire to a driver.



04 Secure the fitting with provided align key.



05 Turn mains power ON.



IP65    
**Telbix.**

24V ~ 50Hz LED  
3W 3000K Non-DIM

## IMPORTANT

Must be installed by a  
qualified electrical  
contractor.  
Install in accordance  
with AS/NZS3000.