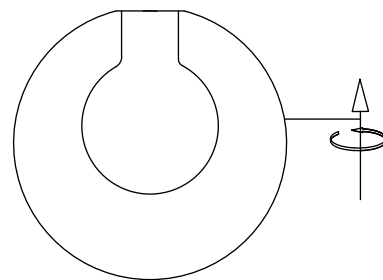
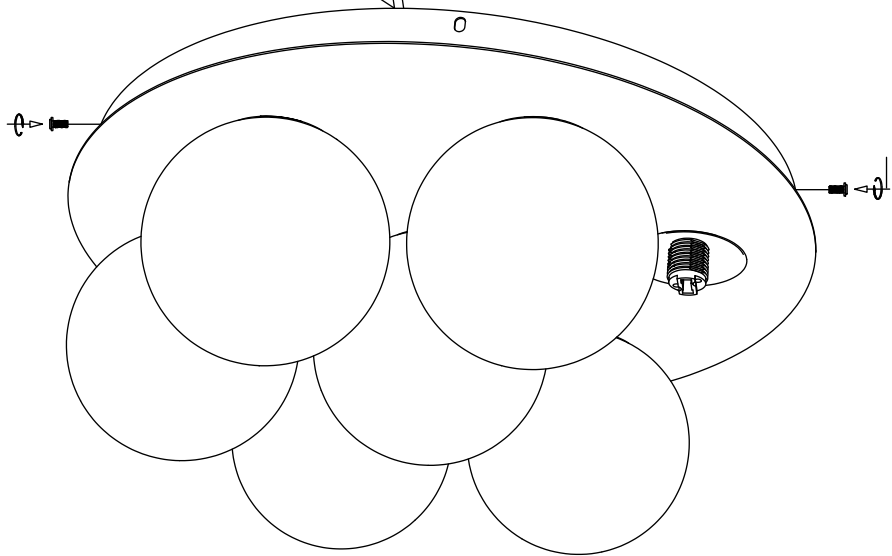
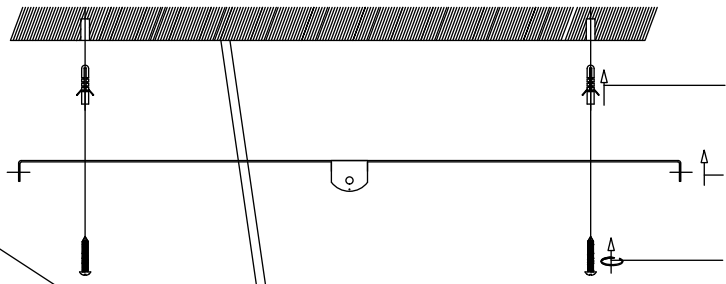
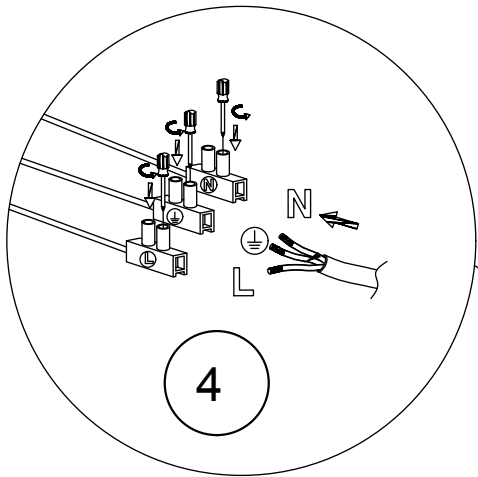


ITEM NO.: MOSARI CTC7



IP20

240V ~ 50Hz G9 Max.6Wx7

Telbix.

NOTE: GLOBE NOT INCLUDED

IMPORTANT
Must be installed by a qualified electrical contractor.
Install in accordance with AS/NZS 3000