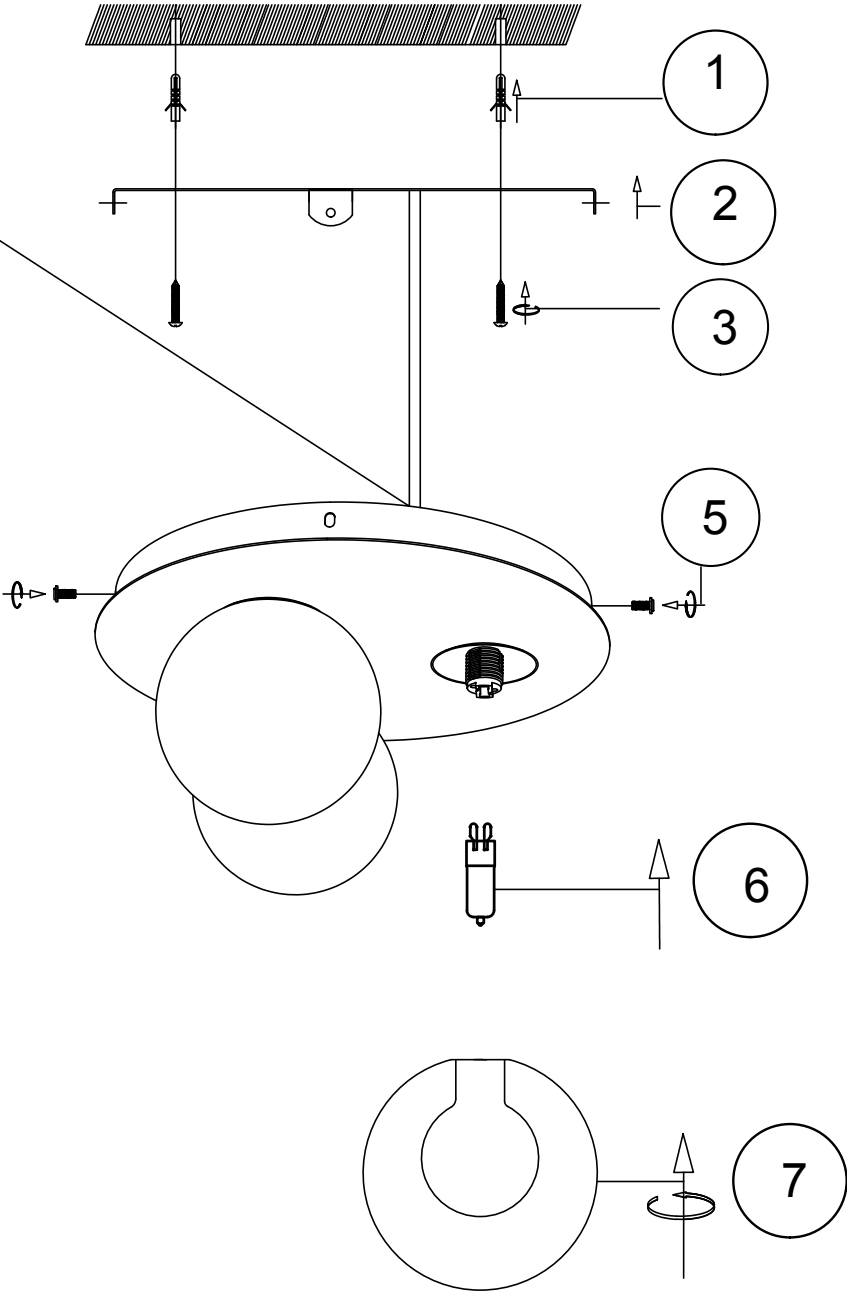
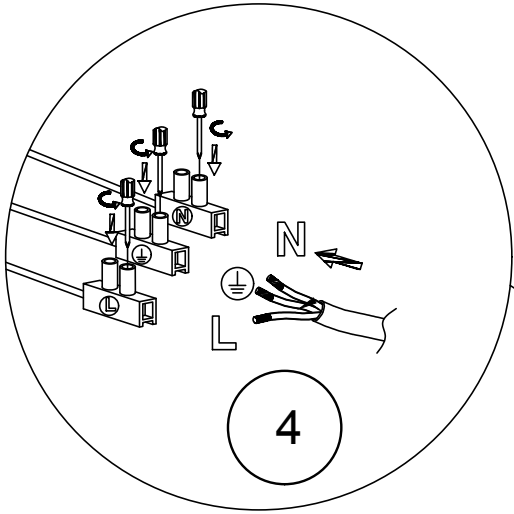


ITEM NO.: MOSARI CTC3



IP20

240V ~ 50Hz G9 Max.6Wx3

**Telbix.**

NOTE: GLOBE NOT INCLUDED

**IMPORTANT**  
Must be installed by a qualified electrical contractor.  
Install in accordance with AS/NZS 3000