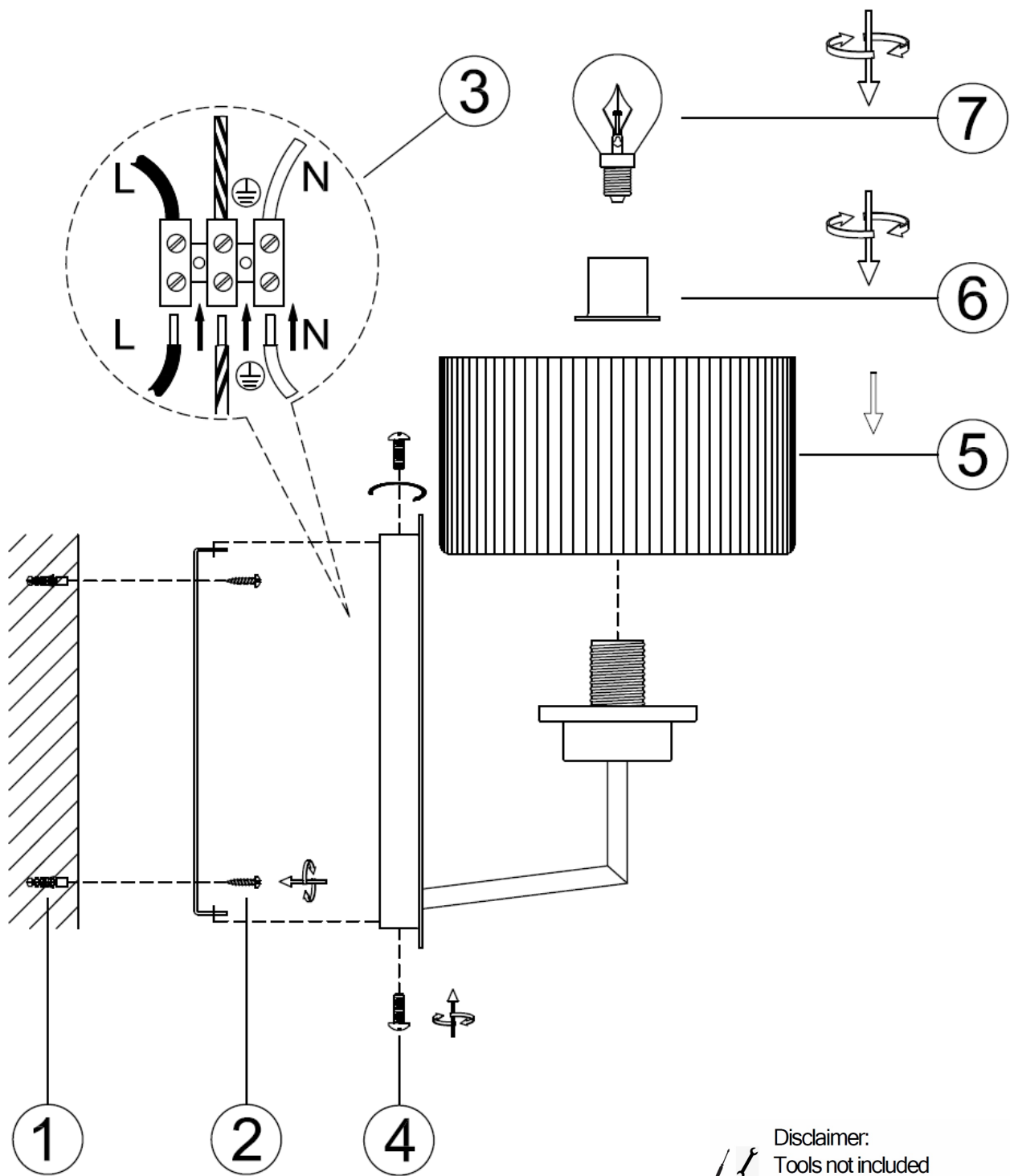





ITEM NO.: MORENO II WB



Disclaimer:
 Tools not included
 Shade ring attached on lamp holder
 Globe(s) not included



Telbix.

240V ~ 50Hz E14 Max.25Wx1

NOTE: GLOBE NOT INCLUDED

IMPORTANT

Must be installed by a qualified electrical contractor.
 Install in accordance with AS/NZS3000