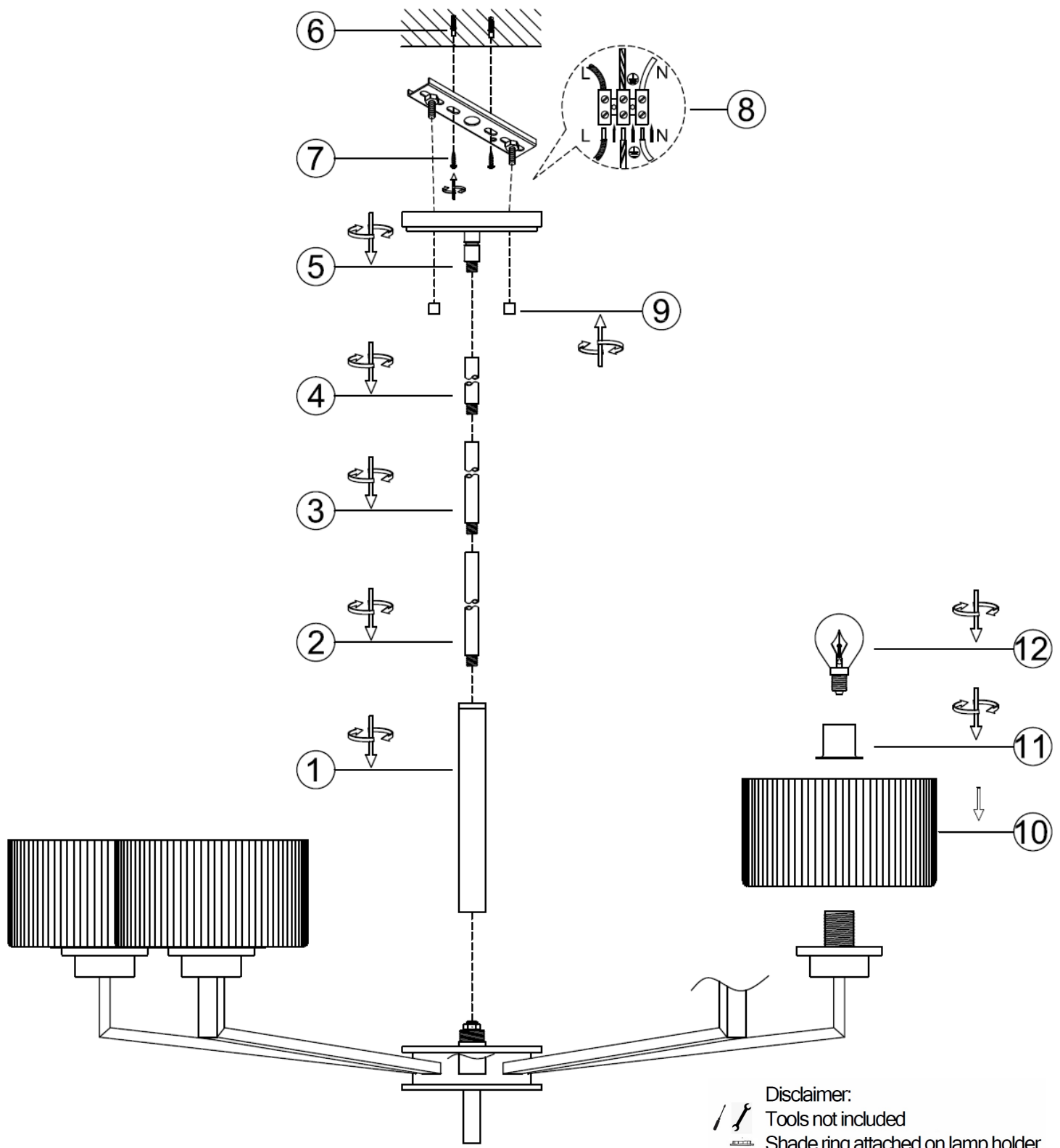





ITEM NO.: MORENO II PE8



Disclaimer:
 Tools not included
 Shade ring attached on lamp holder
 Globe(s) not included

IMPORTANT

Must be installed by a qualified electrical contractor.
 Install in accordance with AS/NZS3000



240V ~ 50Hz E14 Max.25Wx8

NOTE: GLOBE NOT INCLUDED