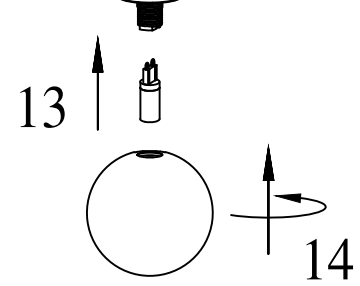
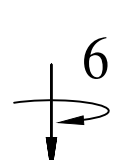
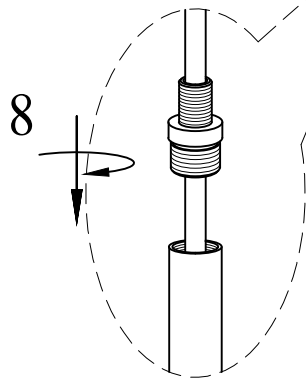
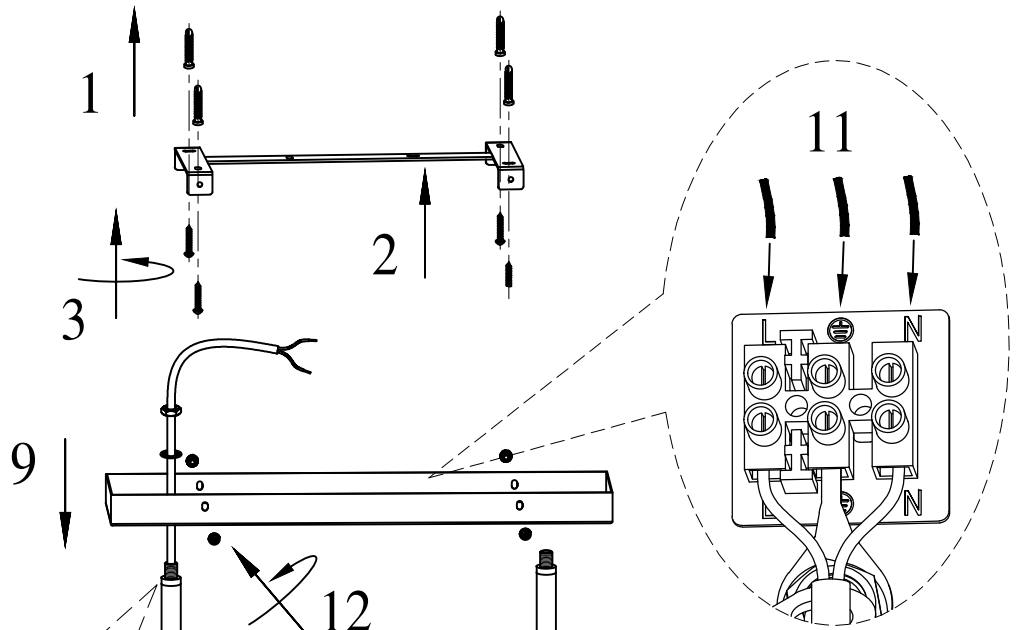
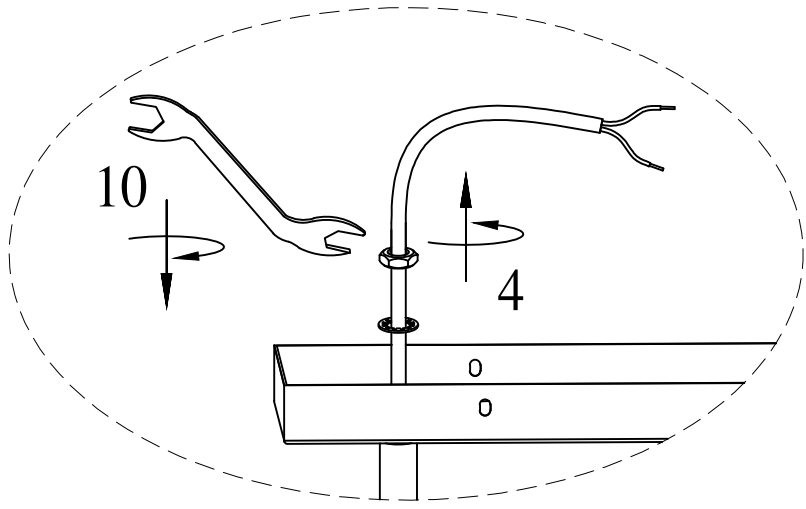
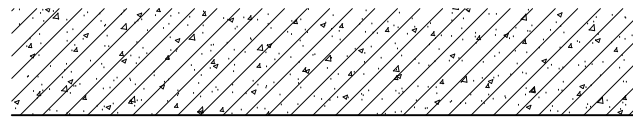


# ITEM NO.:MORAN PE09



- Disclaimer:
- Tools not included
  - Shade ring attached on lamp holder
  - Globe(s) not included

**IMPORTANT**  
 Must be installed by  
 a qualified electrical  
 contractor.  
 Install in accordance  
 with AS/NZ3000



**Telbix.**

240V ~ 50Hz G9Max.6Wx9

NOTE:GLOBE NOT INCLUDED