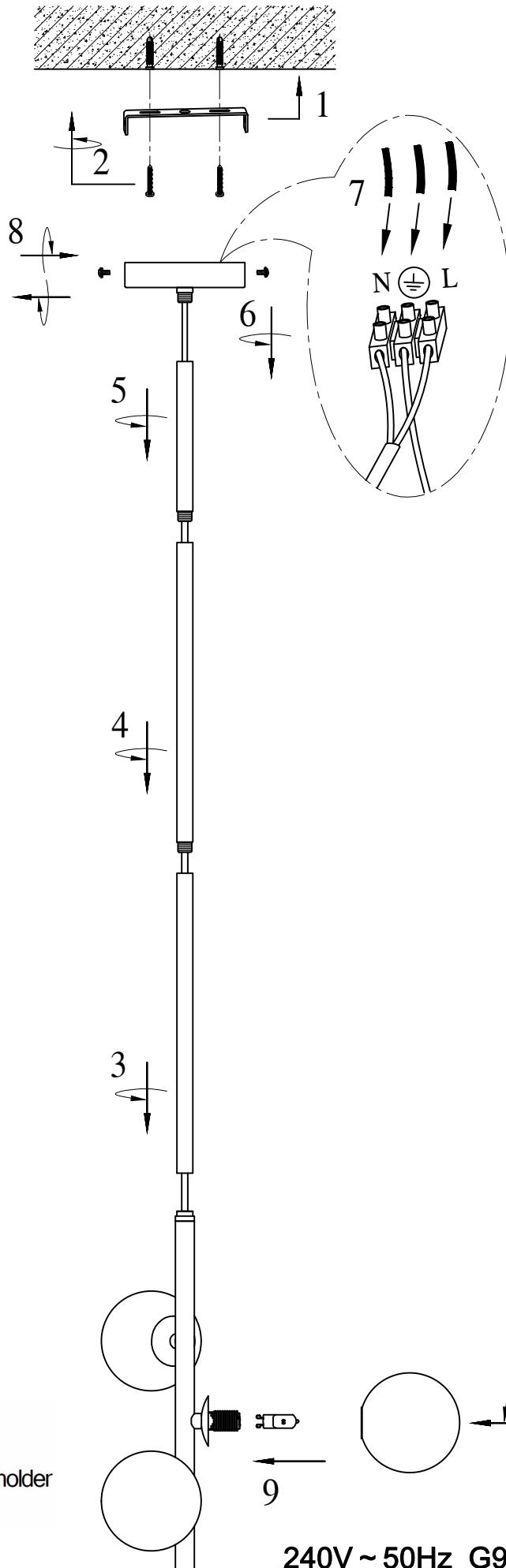


ITEM NO.:MORAN PE03



IMPORTANT
Must be installed by
a qualified electrical
contractor.
Install in accordance
with AS/NZ3000

- Disclaimer:
- Tools not included
 - Shade ring attached on lamp holder
 - Globe(s) not included



240V ~ 50Hz G9 Max.6Wx3
NOTE:GLOBE NOT INCLUDED