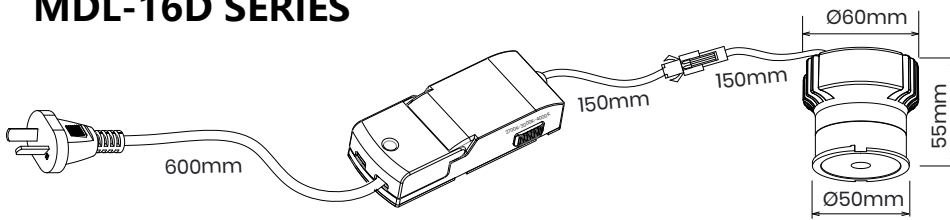
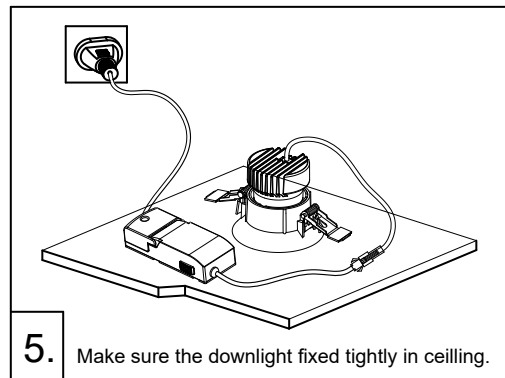
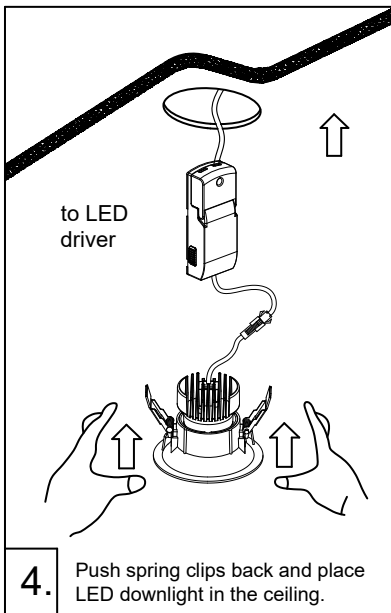
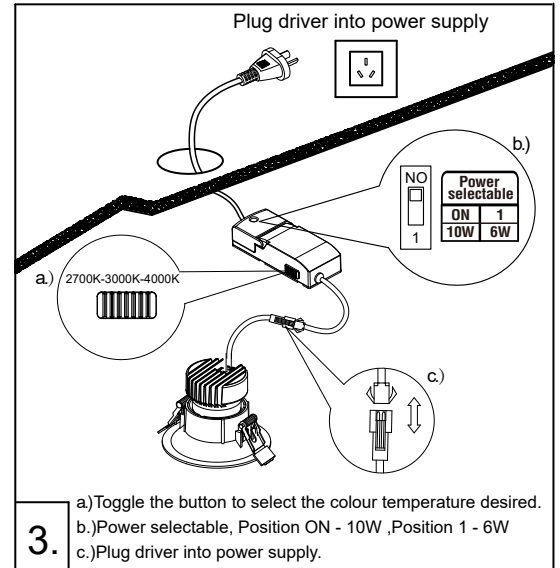
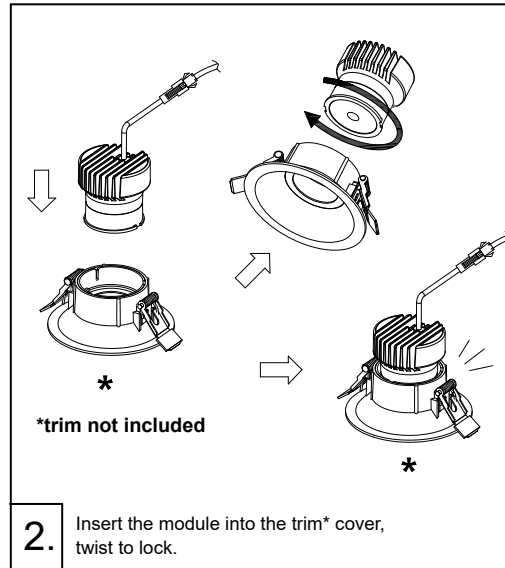
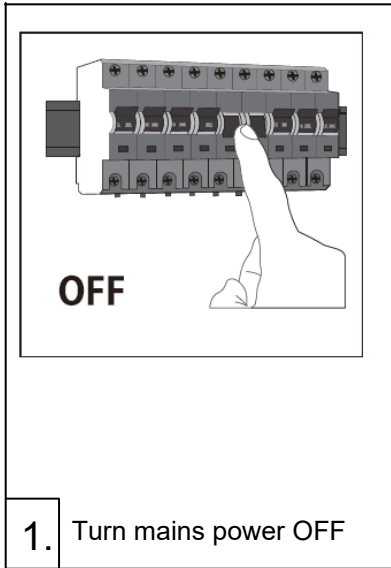


MDL-16D SERIES



Specification	
Item Name	MDL-16D-510G3
Watt	6W / 10W
Input	220-240V
Lumen	950
CCT	2700K-3000K-4000K
CRI	>92
Diameter (mm)	50
Height (mm)	55

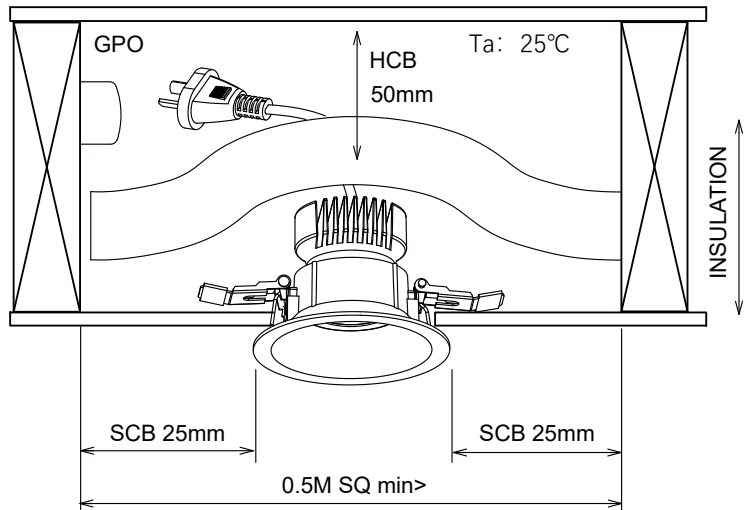
(The product must be installed by a licensed electrician)



6. Turn mains power ON.

IMPORTANT

Downlight should be regularly checked and maintained to prevent a build up of dust, leaves and/or loose insulation which cause a build up of heat effecting the performance of this product.



Insulation type as tested is glass wool (pink wool).
LOOSE FILL INSULATION IS NOT PERMITTED

WARNING: Risk of overheating or fire if the clearance distance are compromised.