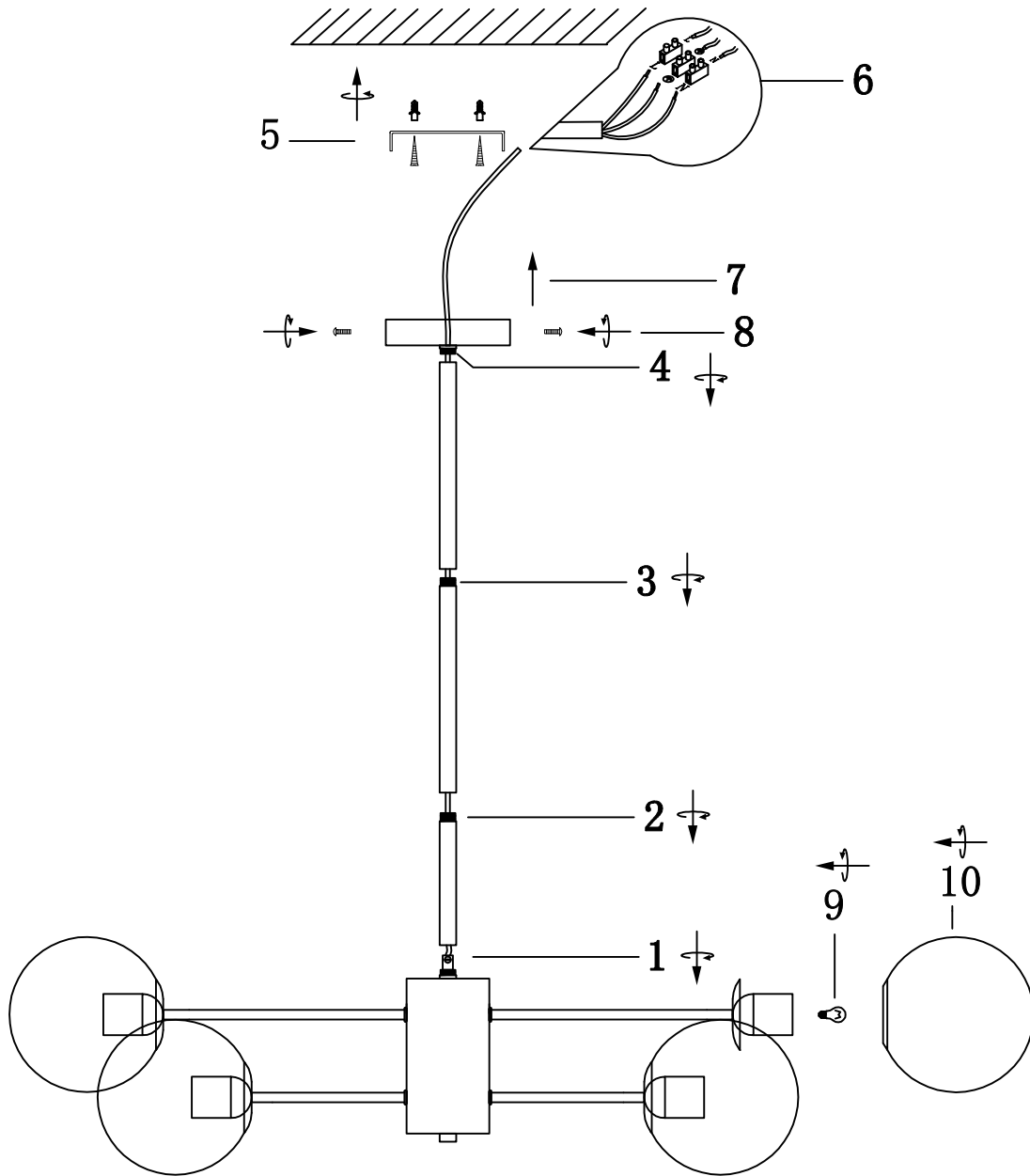





# ITEMNO.:MARSTEN PE12



- Disclaimer:
-  Tools not included
  -  Shade ring attached on lamp holder
  -  Globe(s) not included



240V ~ 50Hz E27Max.25Wx12  
NOTE:GLOBE NOT INCLUDED

**IMPORTANT**  
Must be installed by  
a qualified electrical  
contractor.  
Install in accordance  
with AS/NZ3000