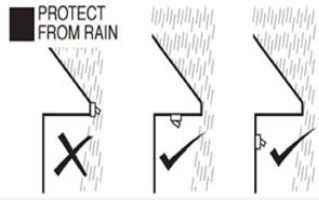
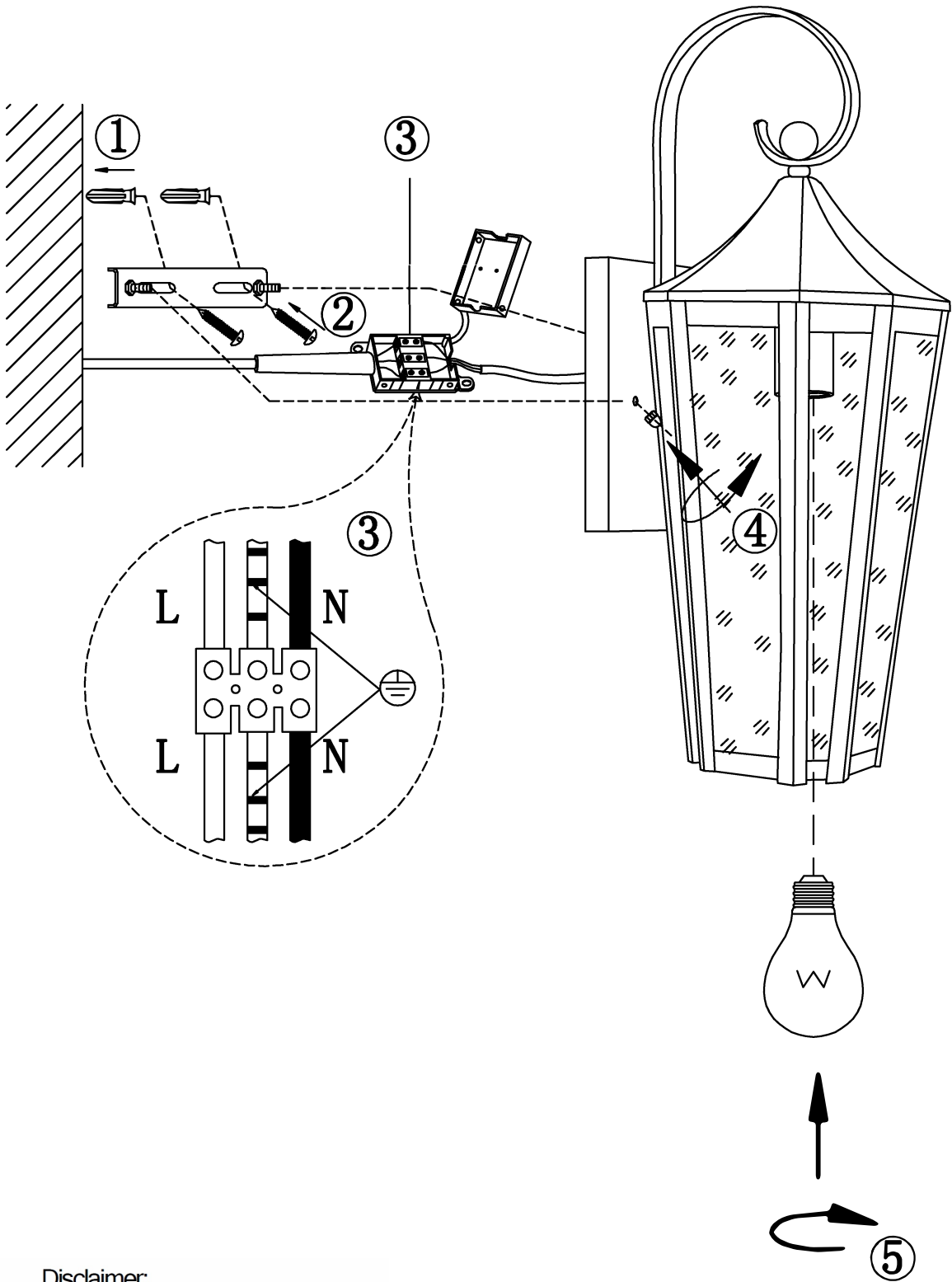





ITEM NO.: MARQUES EX



Disclaimer:
 Tools not included
 Shade ring attached on lamp holder
 Globe(s) not included

240V ~ 50Hz E27 Max.25W x1
NOTE: GLOBE NOT INCLUDED

IMPORTANT
 Must be installed by a qualified electrical contractor. Install in accordance with AS/NZS3000