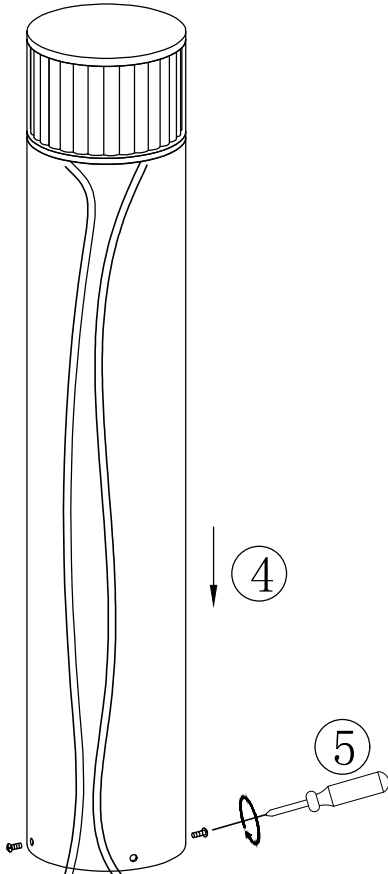
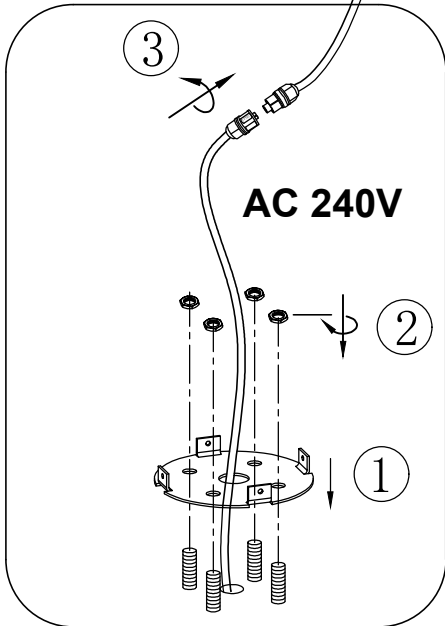


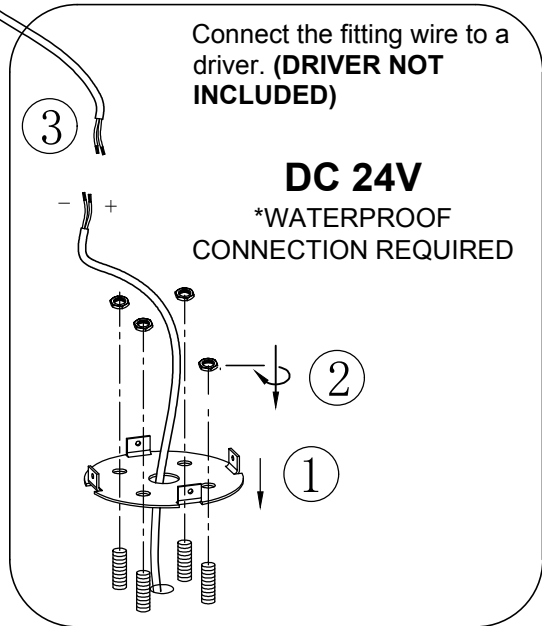
ITEM NO.: MALABO EX.P



Installation options:



A



B

**IMPORTANT**  
Must be installed by a qualified electrical contractor.  
Install in accordance with AS/NZS3000



IP65

Telbix.

A: 24V DC LED 12W 3000K NON-DIM

B: 240V AC LED 12W 3000K NON-DIM