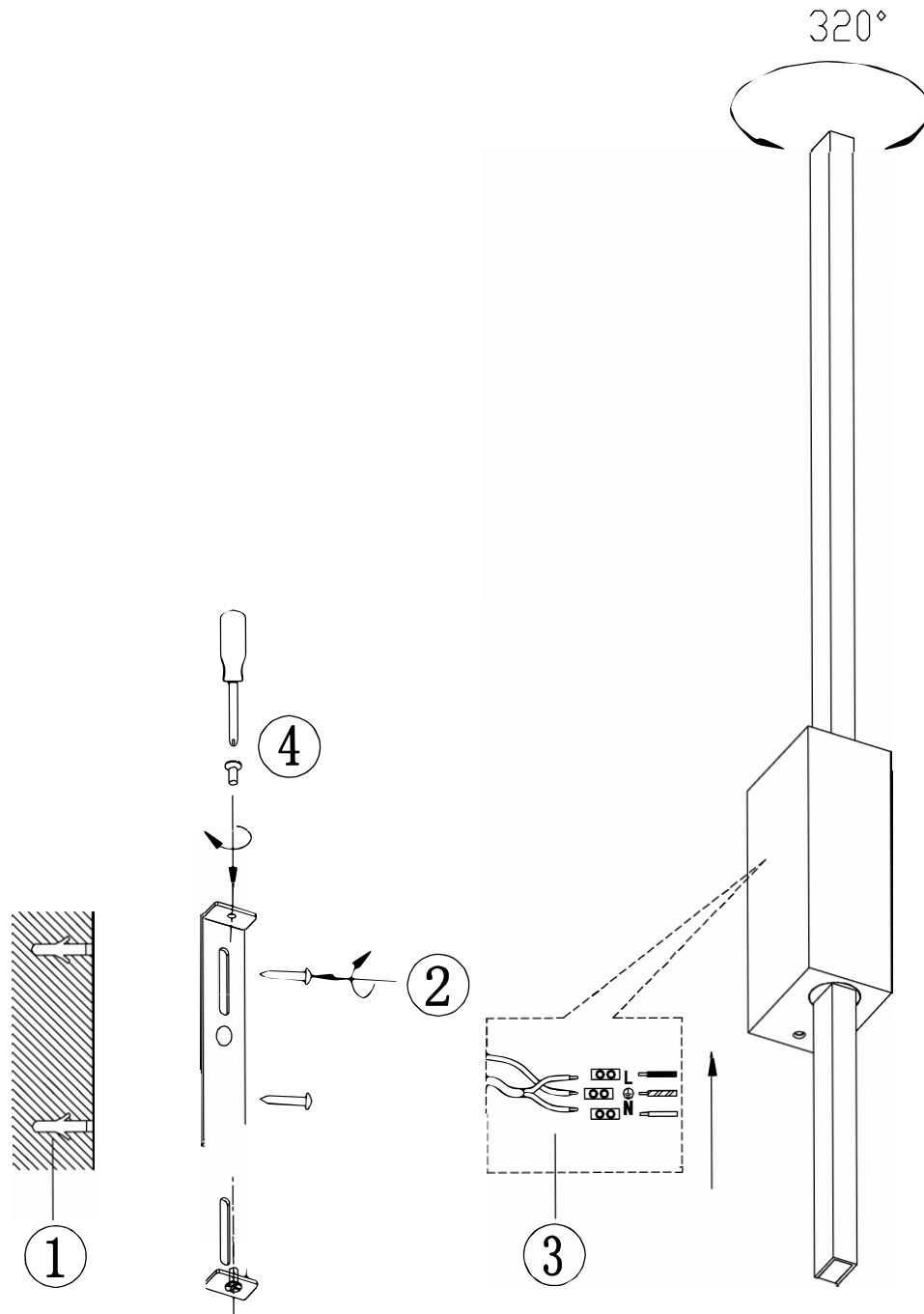


ITEM NO.: MADRAS WB60



IP20

240V ~ 50Hz LED 12W 3000K

NON-DIM

Telbix.

IMPORTANT
Must be installed by
a qualified electrical
contractor.
Install in
accordance with
AS/NSZ3000.