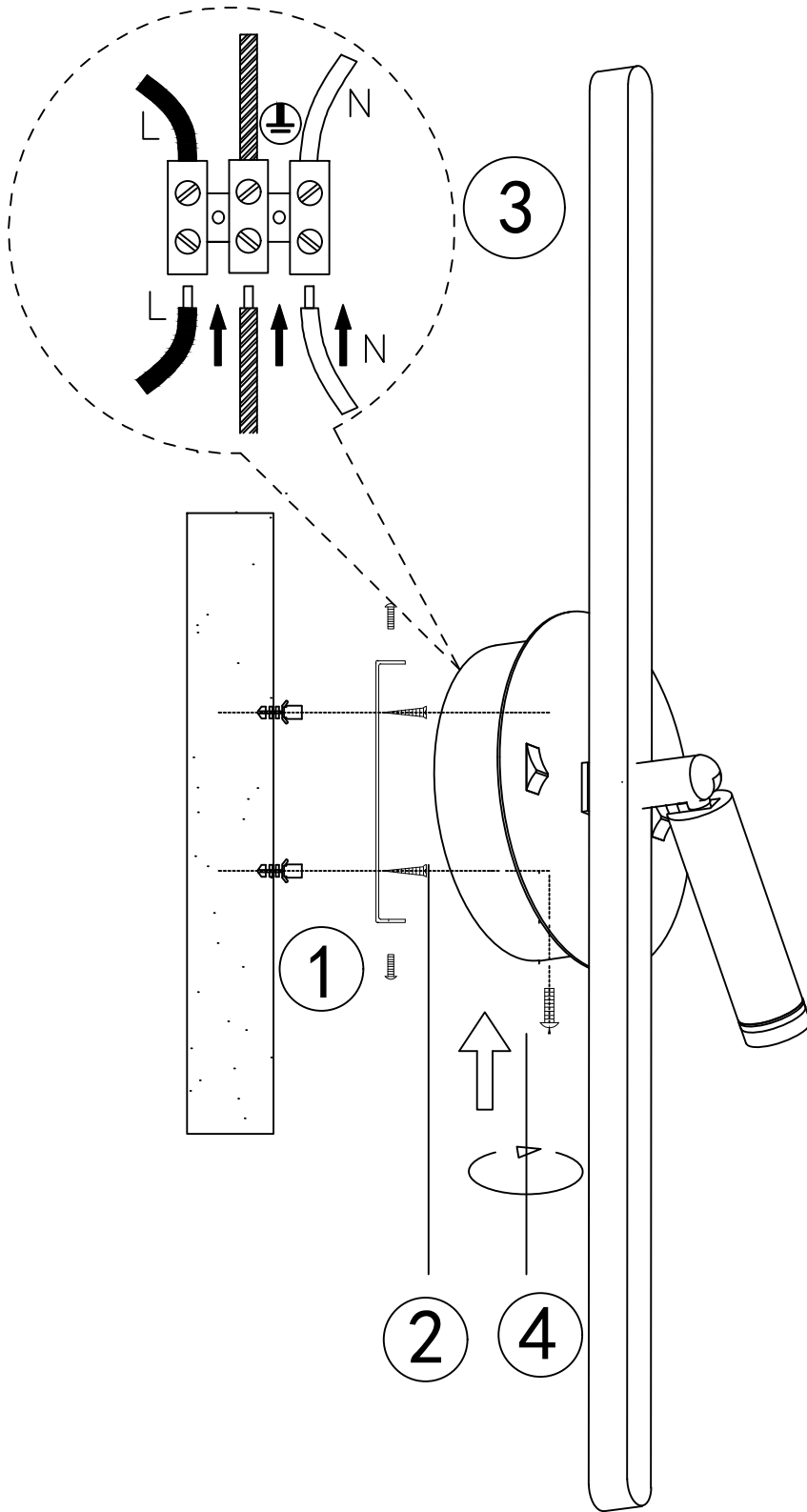


ITEM NO.:LENOX WB



IP20

240V ~ 50Hz LED 10W 3000K

NON-DIM

**IMPORTANT**

Must be installed by a qualified electrical contractor.  
Install in accordance with AS/NZS3000.

Telbix.