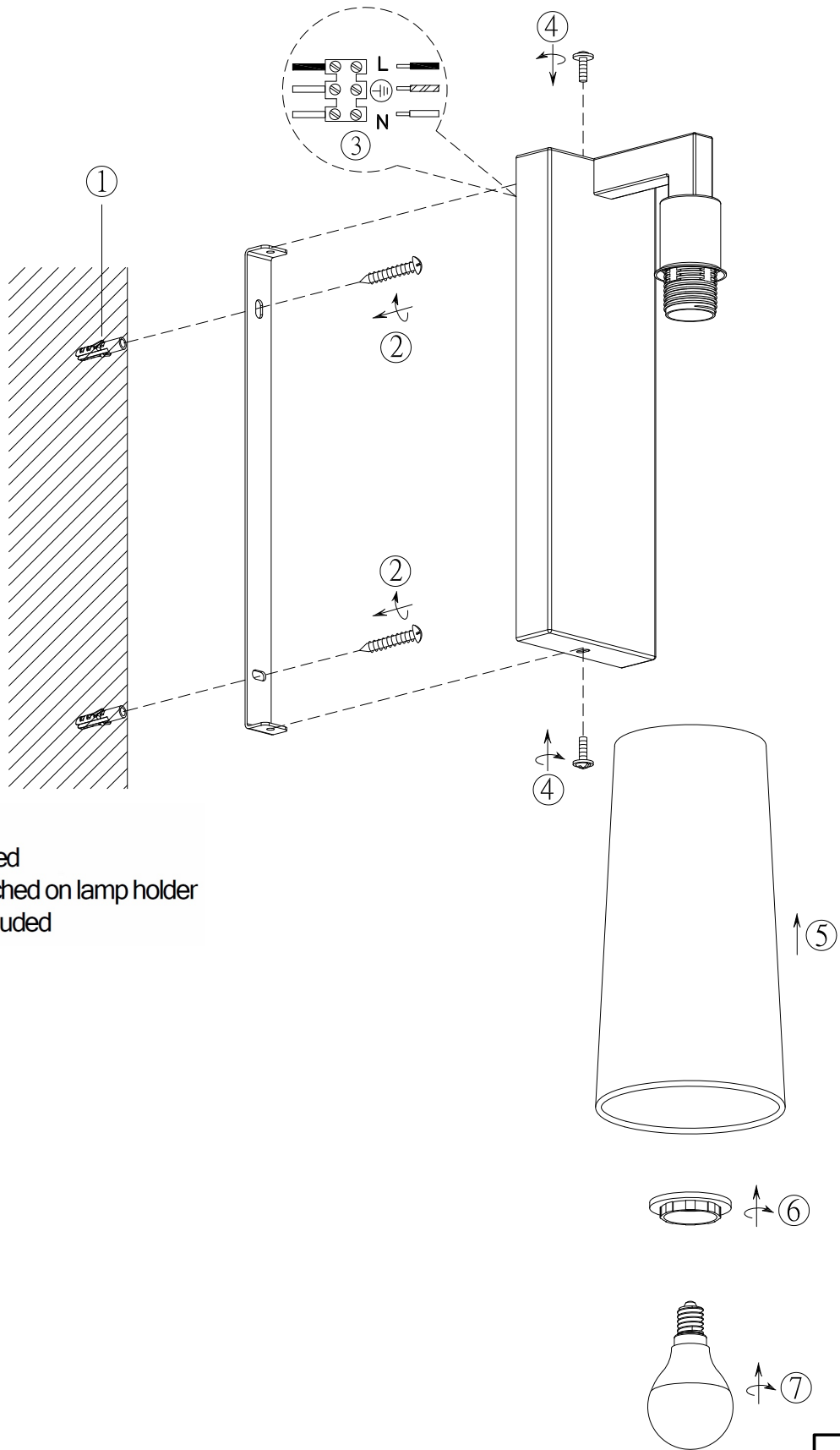


ITEM NO.: LAVIS WB



- Disclaimer:
- Tools not included
 - Shade ring attached on lamp holder
 - Globe(s) not included



240V ~ 50Hz E14 Max.25W x 1
NOTE: GLOBE NOT INCLUDED

IMPORTANT
Must be installed by
a qualified electrical
contractor.
Install in accordance
with AS/NZS3000