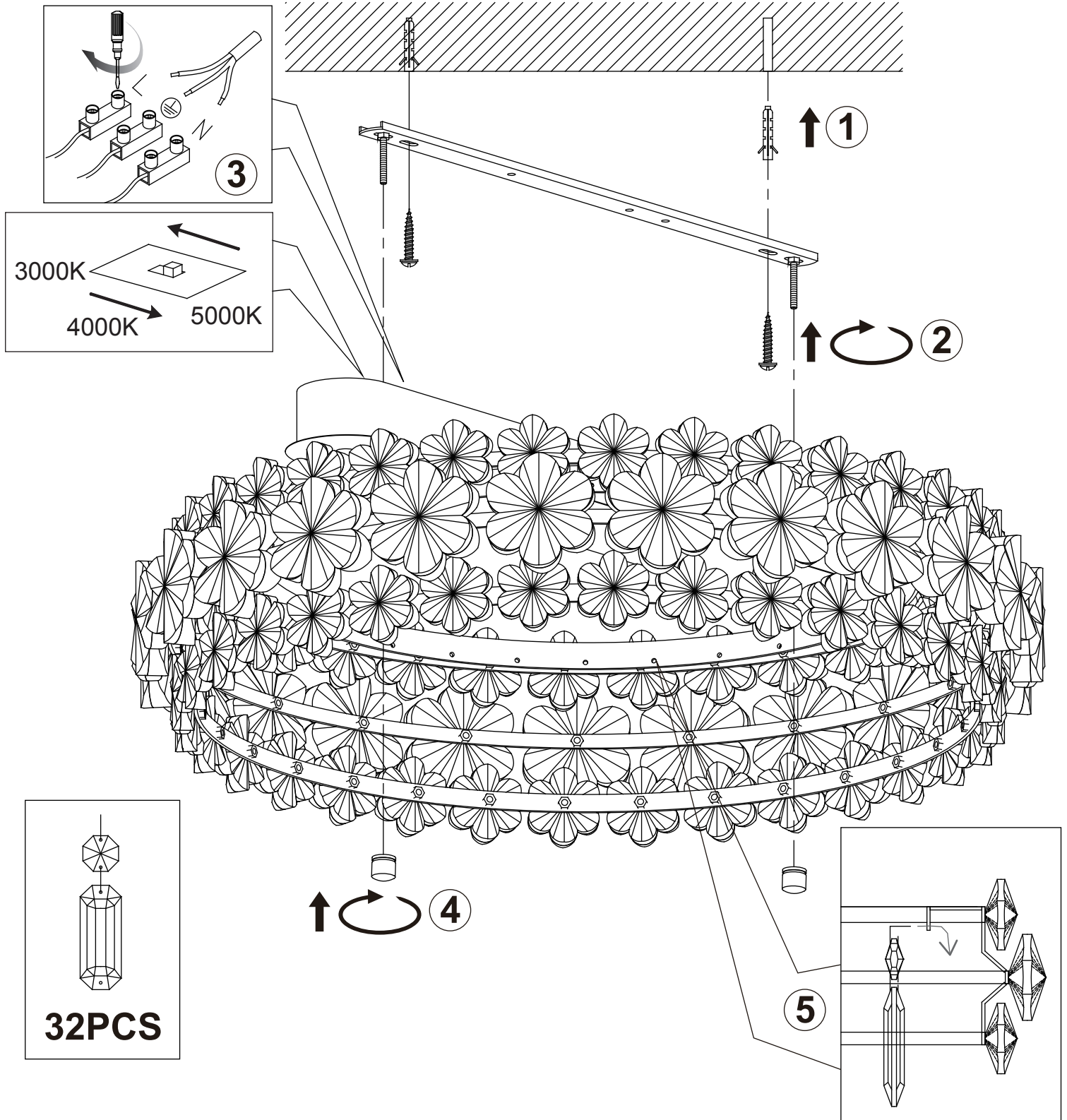


ITEM NO.: LANDIS CTC50



IP20

240V ~ 50Hz LED 36W

3000K-4000K-5000K

Telbix.

TRAILING EDGE DIMMER

IMPORTANT

Must be installed by a qualified electrical contractor.

Install in accordance with AS/NSZ3000.