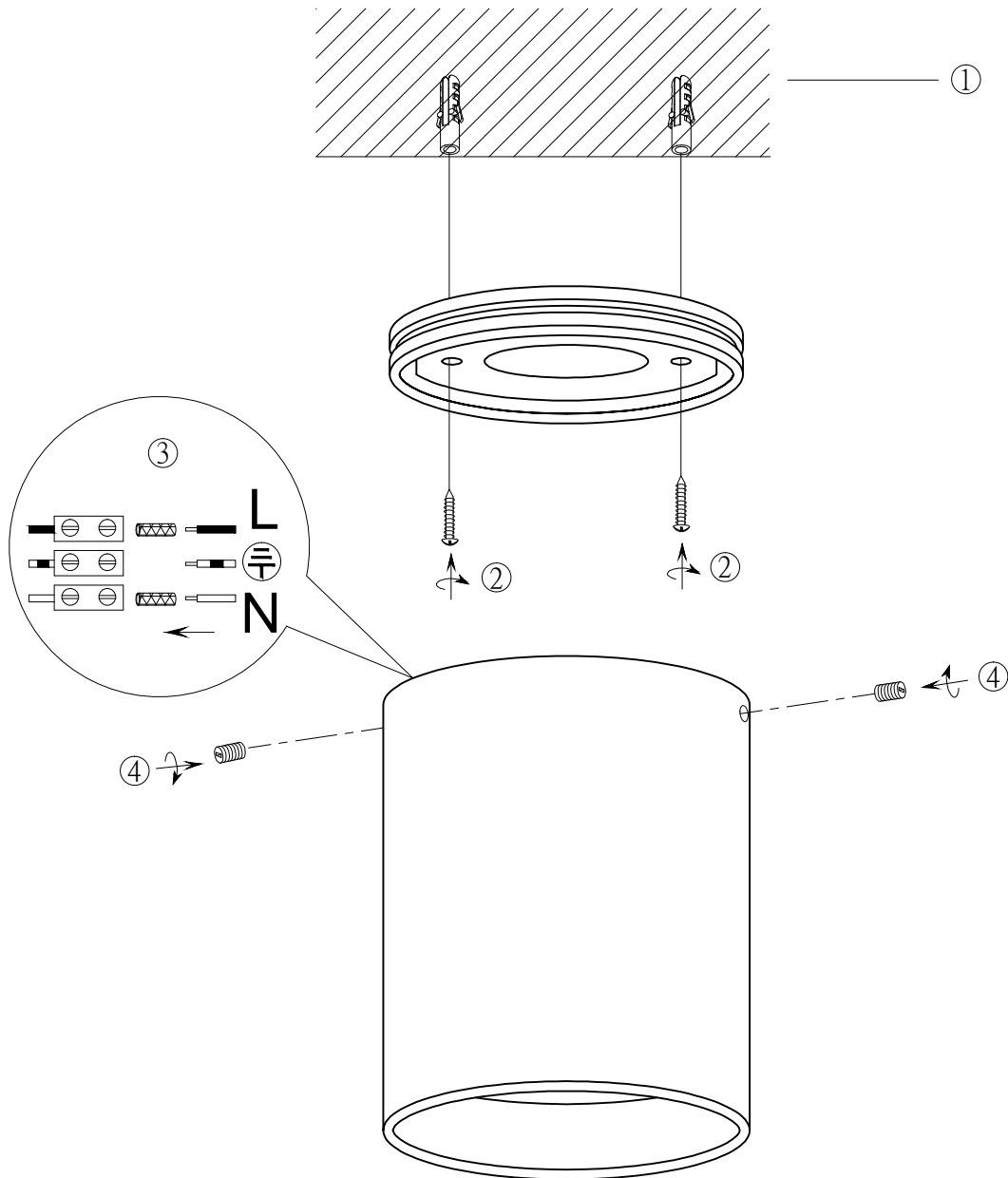





ITEM NO.: KEON



- Disclaimer:
-  Tools not included
 -  Shade ring attached on lamp holder
 -  Globe(s) not included

TRAILING EDGE DIMMER

240V~50Hz LED 10W 3000K/5000K
240V~50Hz LED 20W 3000K/5000K

IMPORTANT

Must be installed
by a qualified
electrical contractor.
Install in accordance
with AS/NZ3000



Telbix.