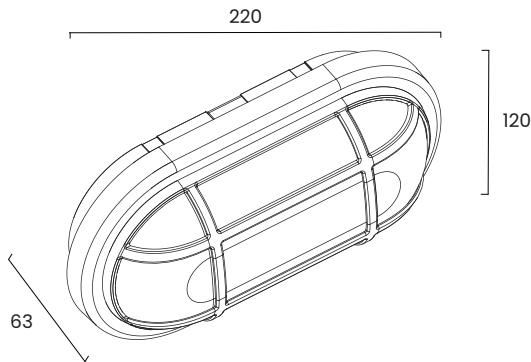


Dimension



Specification

Item Name	KELO RE22
Input Voltage	220-240V ~ 50Hz
Watt	10w
Lumen	600Lm*
CCT	2700K-3200K-4000K*
CRI	>90
Dimmable	NON-DIMMABLE
IP Rating	IP65
Dimensions (mm)	L:220 x H:120 x P:63

Installation

(The product must be installed by a licensed electrician)

- Turn mains power OFF.
- Remove bracket from fitting.
- Use the screws to install the bracket.
- Connect the cable wire.
- Select desired colour temperature via switch.
- Install the light into the bracket. Ensure the fitting has firmly clicked into bracket.
- Turn mains power ON.



Installation must be performed by a qualified Electrical Contractor in accordance with the current wiring standard AS/NZS3000.
3 YEAR REPLACEMENT WARRANTY*
 with Proof of purchase and electrical installation certificate.