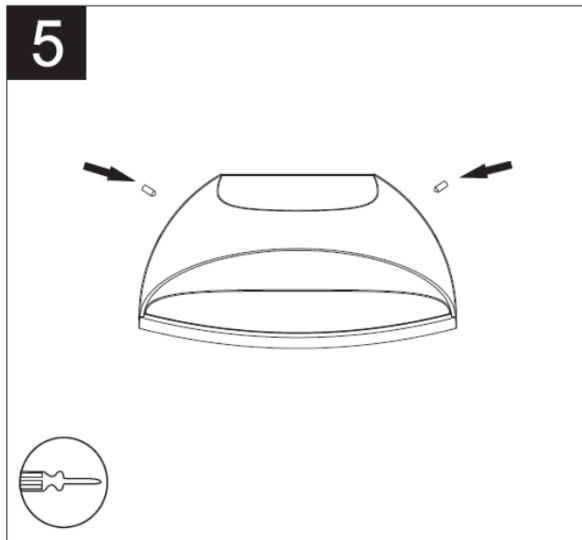
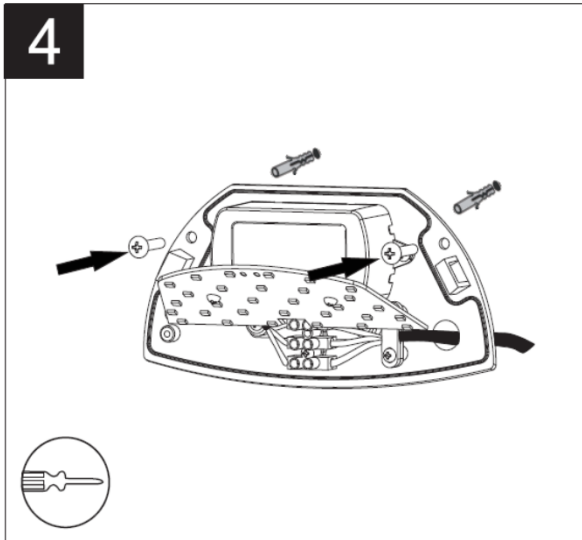
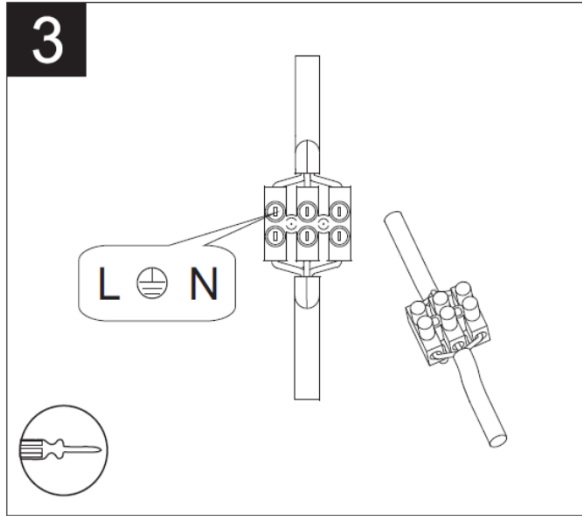
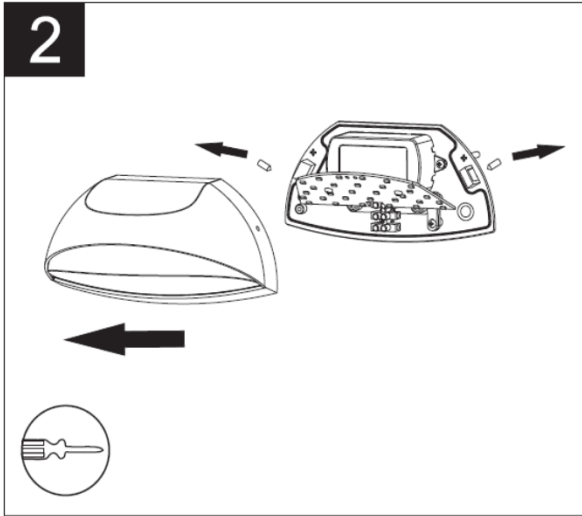
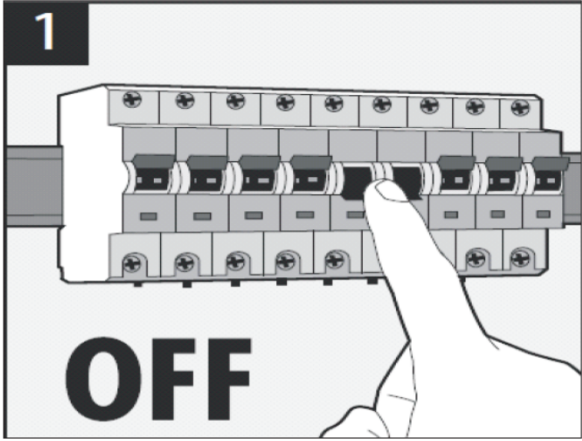
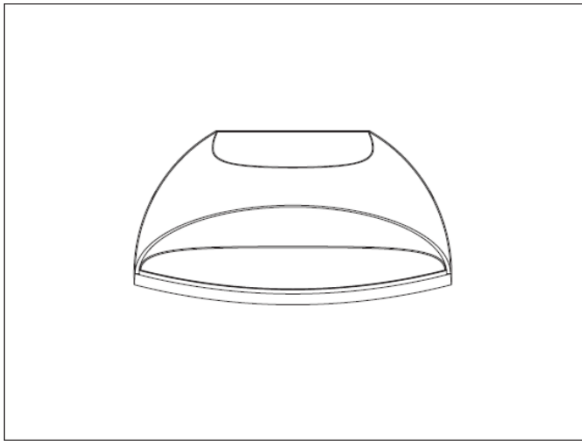


ITEM NO.: JOSS EX12-TN84



PROTECT FROM RAIN



- Disclaimer:
- Tools not included
 - Shade ring attached on lamp holder
 - Globe(s) not included



240V ~ 50Hz LED 12W 4000K

telbix.

IMPORTANT
 Must be installed by a qualified electrical contractor.
 Install in accordance with AS/NZ3000